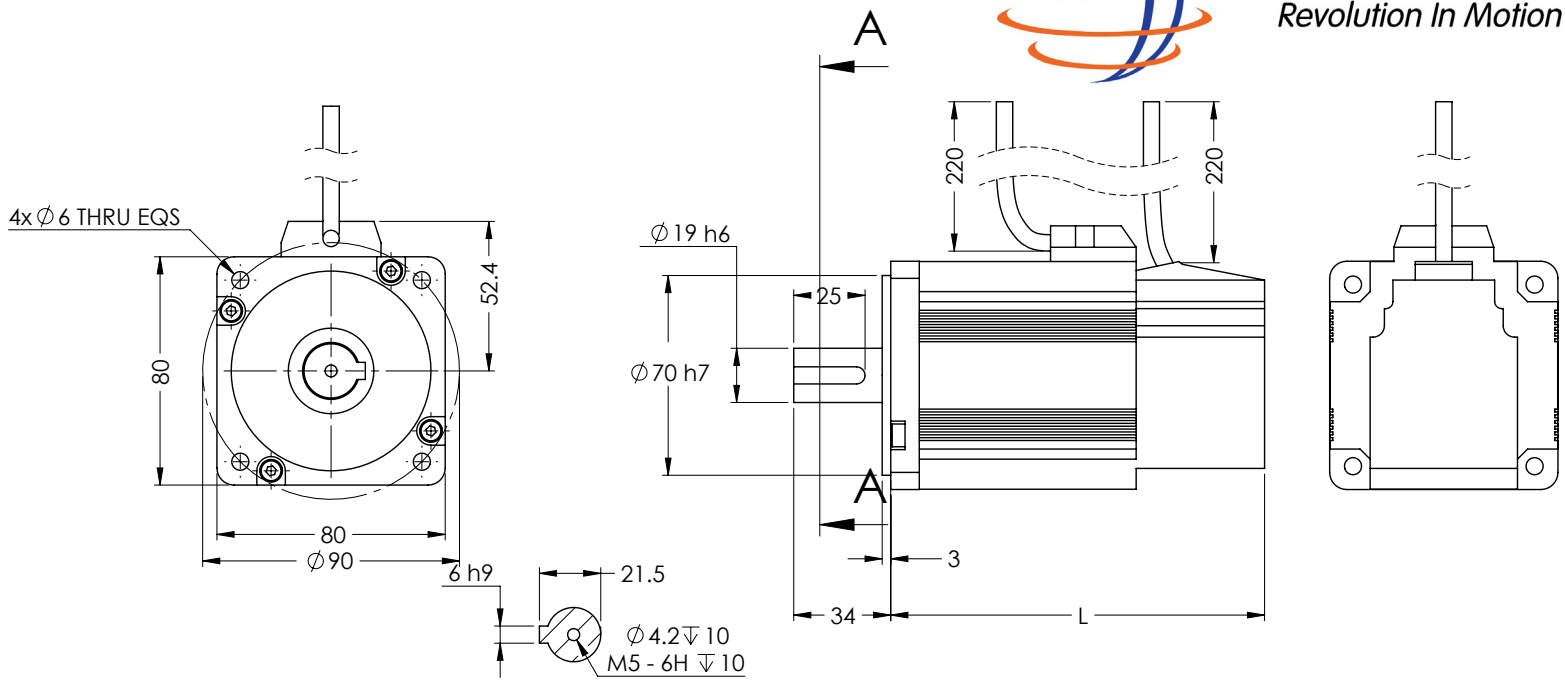


HPM80 200 VAC



Orbex Group
Revolution In Motion



SECTION A-A

| Parameter | Unit | Motor Model | | | |
|--------------------------|-------------------------------|--|---------------------|---------------------|---------------------|
| | | HPM80-01-200 | HPM80-02-200 | HPM80-03-200 | HPM80-04-200 |
| Rated Power | W | 500 | 750 | 1000 | 1250 |
| Rated Voltage | V | 200 (AC) | | | |
| Continuous Stall Torque | Nm | 1.6 | 2.4 | 3.2 | 4.77 |
| Max Torque | Nm | 4.8 | 7.2 | 9.6 | 14.31 |
| Rated Speed/Max. Speed | rpm | 3000/4500 | 3000/4500 | 3000/4500 | 2500/3000 |
| Rated Current | A_{peak} | 3 | 4.5 | 6 | 5.8 |
| Max Current | A_{peak} | 9 | 13.5 | 18 | 17.4 |
| Back EMF Constant, K_e | $V_{peak}/krpm$ | 54 ($\pm 10\%$) | 54 ($\pm 10\%$) | 59 ($\pm 10\%$) | 85.0 ($\pm 10\%$) |
| Torque Constant, K_T | Nm/A_{peak} | 0.53 ($\pm 10\%$) | 0.53 ($\pm 10\%$) | 0.57 ($\pm 10\%$) | 0.82 ($\pm 10\%$) |
| Moment of Inertia | $\times 10^{-4} kg \cdot m^2$ | 0.57 | 0.87 | 1.1 | 1.48 |
| Number of Poles | | 8 | | | |
| Mass | kg | 1.8 | 2.3 | 2.8 | 3.1 |
| L | mm | 112 | 127 | 142 | 151 |
| Feedback Options | | -01:Optical encoder (2500 line) /-02: Magnetic encoder (1024 line) | | | |
| Operating Environment | | Temperature: 0-40°C; Humidity: $\leq 95\%$ RH, Non-condensing | | | |
| Storage Environment | | Temperature: -20-65°C; Humidity: $\leq 95\%$ RH, Non-condensing | | | |
| Insulation Rating | | Class F (155°C Winding Temperature) | | | |
| Protection Class | | IP65 | | | |
| Duty Cycle | | Continuous | | | |

HPM80 200 VAC Typical Speed/Torque Curves

