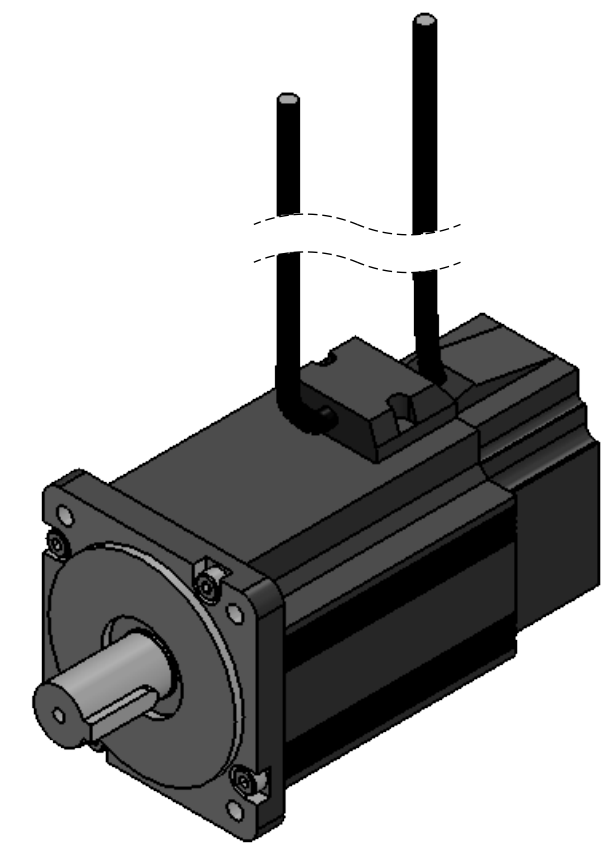
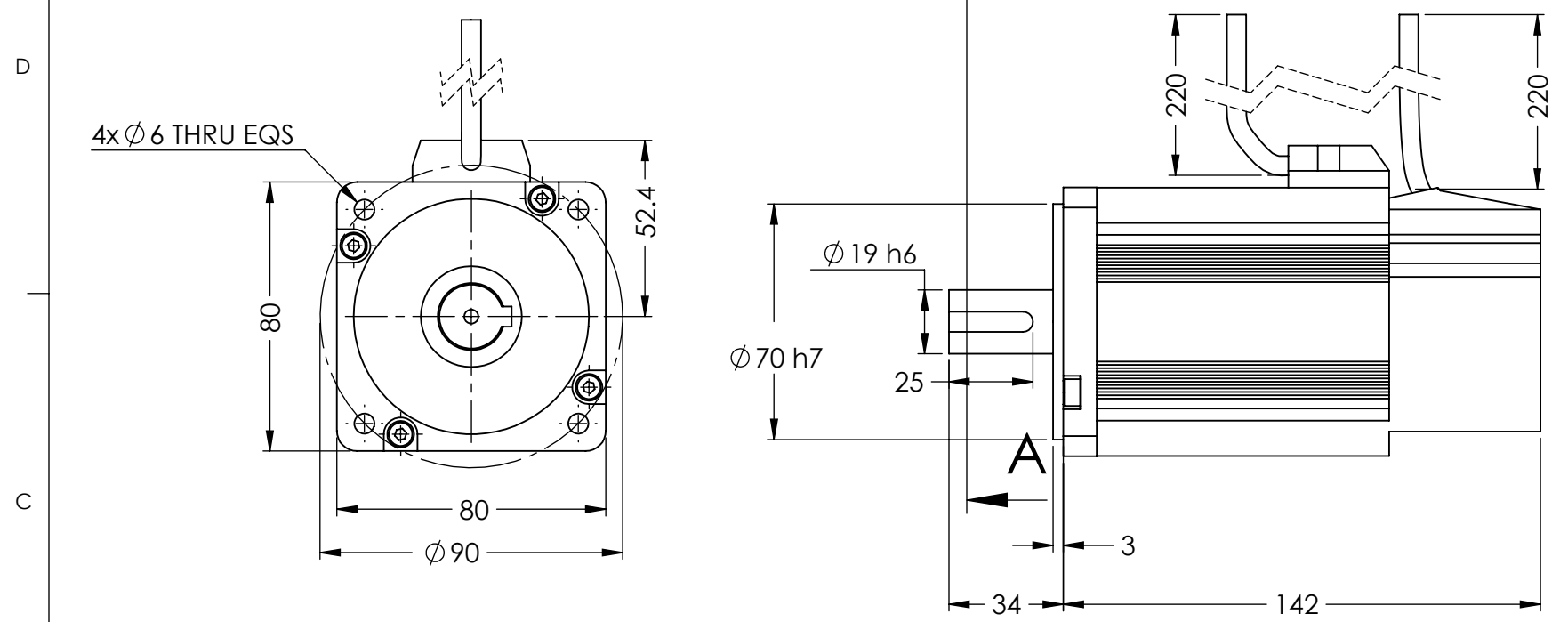
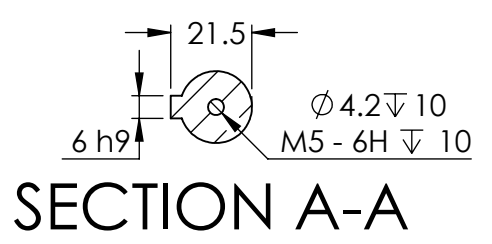


REVISIONS				
ZONE	REV.	DESCRIPTION	DATE	APPROVED
	A	CUSTOMER INFORMATIONAL	12/12/2018	RA

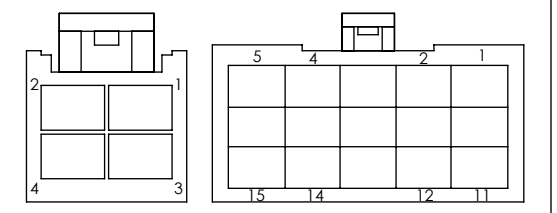


HPM80-03-200-01 Specifications

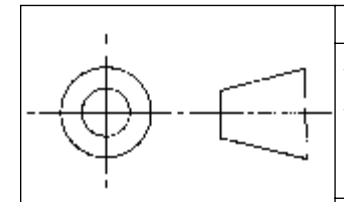
Parameter	Unit	Value
Rated Power	W	1000
Rated Voltage	V _(AC)	220.00
Continuous Stall Torque	N-m	3.20
Max Torque	N-m	9.60
Rated Speed/Max Speed	rpm	3000/4500
Rated Current	A _(peak)	6.00
Max. Current	A _(peak)	18.00
Ke : Back EMF Constant	V _(peak) /krpm	59.00
Kt : Torque Constant	Nm/A _(peak)	0.57
Line Resistance	Ω	1.40
Line Inductance	mH	5.65
Moment of Inertia	x10 ⁻⁴ kgm ²	1.1
Number of Poles	#	8
Mass	kg	2.8
Feedback Element	INCREMENTAL Optical Encoder (2500 line)	
Operating Environment	Temperature: 0-40°C; Humidity <95%RH (Free from condensing)	
Storage Environment	Temperature: -20-65°C; Humidity <95%RH (Free from condensing)	
Insulation	Class F (155°C Winding Temperature)	
Protection Class	IP65	
Duty Cycle	Continuous	



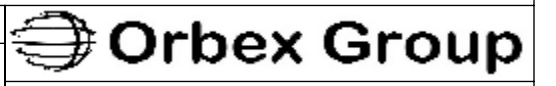
Motor Plug (AMP 172167-1)
Mates with AMP 172159-1
Plug Serial Number 1 2 3 4
Winding Lead Wire U V W PE



Encoder Plug (AMP 172171-1) Mates with AMP 172163-1
Plug Serial Number 2 3 4 5 6 7 8 9 10 11 12 13 14 15 1
Encoder Signal 5V 0V B+ Z- U+ Z+ U- A+ V+ W+ V- A- B- W- PE



UNLESS OTHERWISE SPECIFIED:
DRAWING SYMBOLS & TOLERANCES PER ANSI Y14.5
DIMENSIONS ARE METRIC
TOLERANCES:
DECIMALS LINEAR ANGULAR
.X ±0.2 ±0.5DEG
.XX ±0.02 ±0.2DEG
.XXX ±0.005 ±0.01DEG



TITLE:
SERVO MOTOR

THIS DRAWING CONTAINS PROPRIETARY INFORMATION OF THE ORBEX GROUP AND MAY NOT BE IN WHOLE OR IN PART DUPLICATED OR DISCLOSED OR USED FOR MANUFACTURE OF ANY PART DISCLOSED HEREIN WITHOUT WRITTEN PERMISSION OF THE ORBEX GROUP.
CONFIDENTIAL

INTERPRET GEOMETRIC TOLERANCING PER: ANSI Y14.5
MATERIAL: SEE CHART
FINISH: CLEAN
DRAWN: Sun KPO 12/12/2018

SIZE B	PRT. NO. HPM80-03-200-01	REV A
SCALE: 1:2	SHEET 1 OF 1	