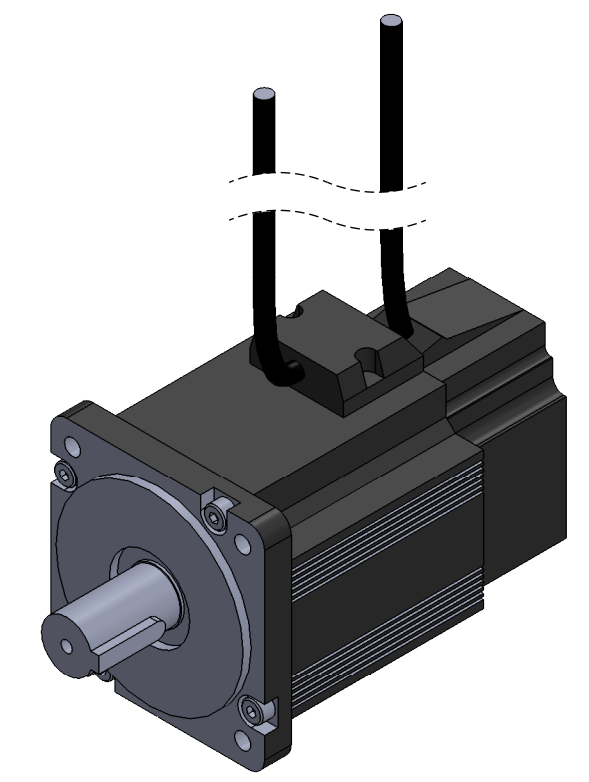
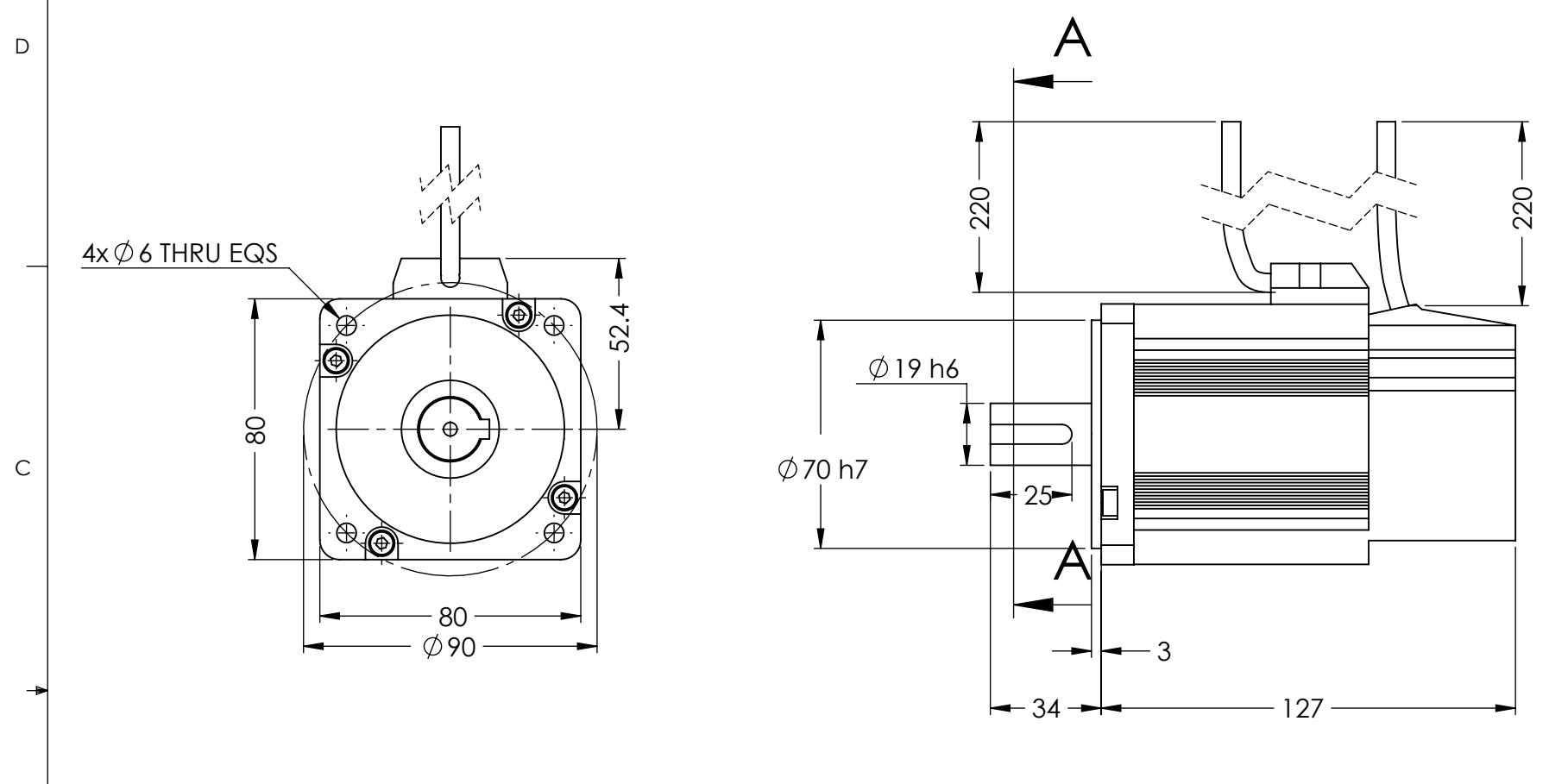
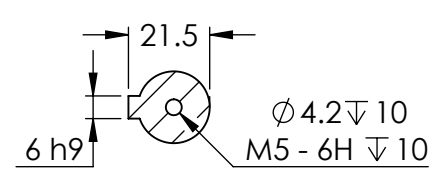


REVISIONS				
ZONE	REV.	DESCRIPTION	DATE	APPROVED
	A	CUSTOMER INFORMATIONAL	11/28/2018	RA



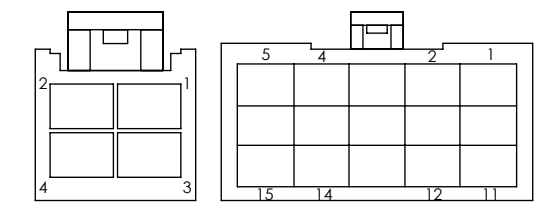
### HPM80-02-200-01 Specifications

Parameter	Unit	Value
Rated Power	W	750
Rated Voltage	V <sub>(AC)</sub>	220.00
Continuous Stall Torque	Nm	2.40
Max Torque	Nm	7.20
Rated Speed/Max Speed	rpm	3000/4500
Rated Current	A <sub>(peak)</sub>	4.50
Max Current	A <sub>(peak)</sub>	13.50
Ke : Back EMF Constant	V <sub>(peak)</sub> /krpm	54.00
Kt : Torque Constant	Nm/A <sub>(peak)</sub>	0.53
Line Resistance	Ω	1.60
Line Inductance	mH	7.50
Moment of Inertia	x10 <sup>-4</sup> kgm <sup>2</sup>	0.87
Number of Poles	#	8.00
Mass	kg	2.3



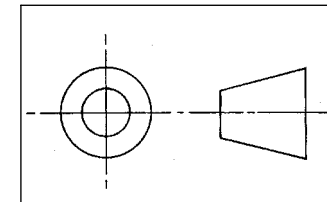
### SECTION A-A

Motor Plug (AMP 172167-1)				
Mates with AMP 172159-1				
Plug Serial Number	1	2	3	4
Winding Lead Wire	U	V	W	PE



Encoder Plug (AMP 172171-1)	Mates with AMP 172163-1														
Plug Serial Number	2	3	4	5	6	7	8	9	10	11	12	13	14	15	1
Encoder Signal	5V	0V	B+	Z-	U+	Z+	U-	A+	V+	W+	V-	A-	B-	W-	PE

Feedback Element	Incremental Optical Encoder, 2500-line with commutation tracks
Operating Environment	Temperature: 0-40°C; Humidity <95%RH (Free from condensing)
Storage Environment	Temperature: -20-65°C; Humidity <95%RH (Free from condensing)
Insulation	Class F (155°C Winding Temperature)
Protection Class	IP65
Duty Cycle	Continuous



THIS DRAWING CONTAINS PROPRIETARY INFORMATION OF THE ORBEX GROUP AND MAY NOT BE IN WHOLE OR IN PART DUPLICATED OR DISCLOSED OR USED FOR MANUFACTURE OF ANY PART DISCLOSED HEREIN WITHOUT WRITTEN PERMISSION OF THE ORBEX GROUP.

**CONFIDENTIAL**

UNLESS OTHERWISE SPECIFIED:		
DRAWING SYMBOLS & TOLERANCES PER ANSI Y14.5		
DIMENSIONS ARE METRIC		
TOLERANCES:		
DECIMALS	LINEAR	ANGULAR
.X	±0.2	±0.5DEG
.XX	±0.02	±0.2DEG
.XXX	±0.005	±0.01DEG
INTERPRET GEOMETRIC TOLERANCING PER: ANSI Y14.5		
MATERIAL	SEE CHART	
FINISH	CLEAN	
DRAWN	Sun KPO	11/28/2018



TITLE: **SERVO MOTOR**

SIZE	PRT. NO.	REV
<b>B</b>	HPM80-02-200-01	<b>A</b>

SCALE: 1:2 SHEET 1 OF 1