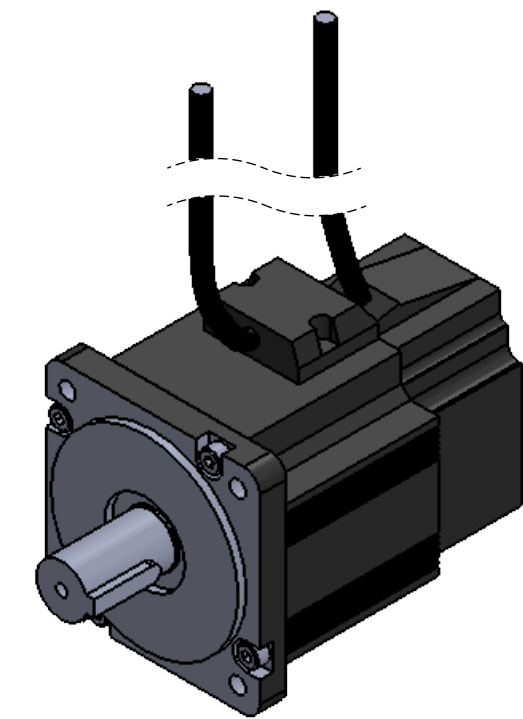
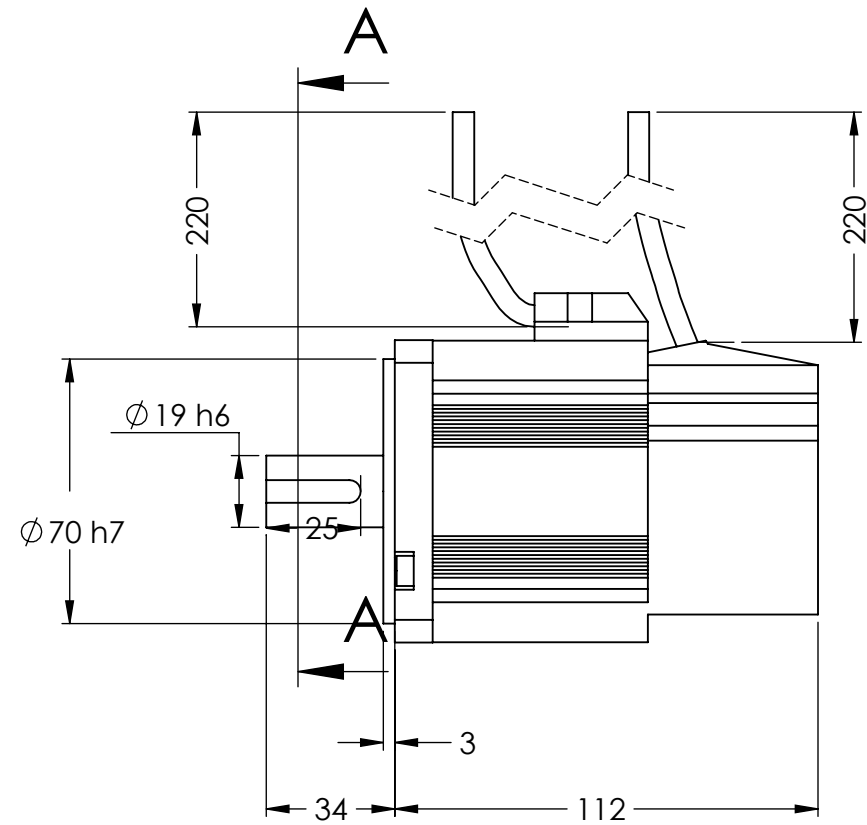
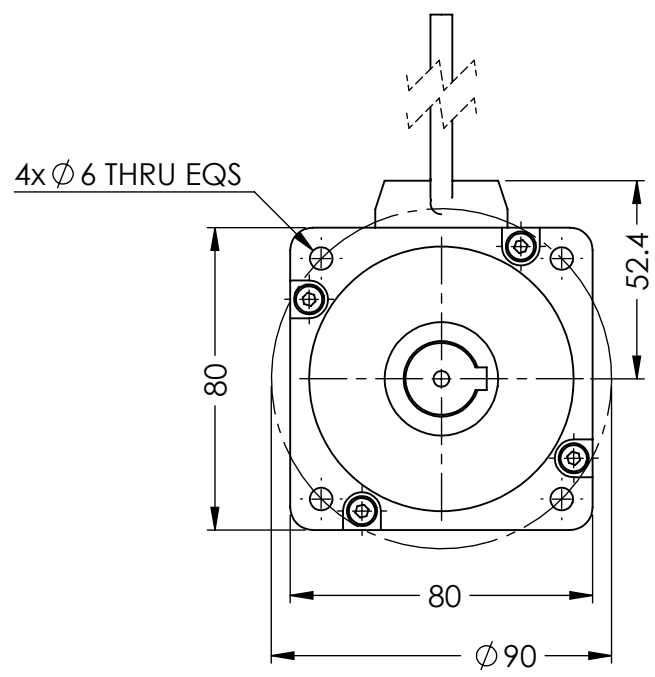
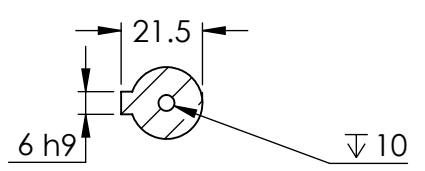


REVISIONS				
ZONE	REV.	DESCRIPTION	DATE	APPROVED
	A_1	CUSTOMER INFORMATIONAL	05/23/2019	RA



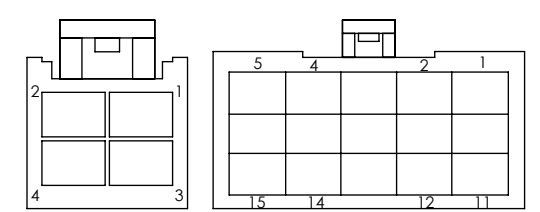
HPM80-01-200-01 Specifications

Parameter	Unit	Value
Rated Power	W	500.00
Rated Voltage	V _(AC)	220.00
Continuous Stall Torque	Nm	1.60
Max Torque	Nm	4.80
Rated Speed/Max Speed	rpm	3000/4500
Rated Current	A _(peak)	3.00
Max Current	A _(peak)	9.00
Ke : Back EMF Constant	V _(peak) /krpm	54.00
Kt : Torque Constant	Nm/A _(peak)	0.53
Resistance	Ω	3.50
Inductance	mH	12.00
Moment of Inertia	x10 ⁻⁴ kgm ²	0.57
Number of Poles	#	8.00
Mass	kg	1.8



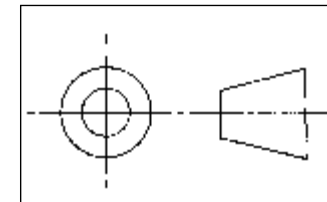
SECTION A-A

Motor Plug (AMP 172167-1)
Mates with AMP 172159-1
Plug Serial Number 1 2 3 4
Winding Lead Wire U V W PE



Encoder Plug (AMP 172171-1) Mates with AMP 172163-1
Plug Serial Number 2 3 4 5 6 7 8 9 10 11 12 13 14 15 1
Encoder Signal 5V 0V B+ Z- U+ Z+ U- A+ V+ W+ V- A- B- W- PE

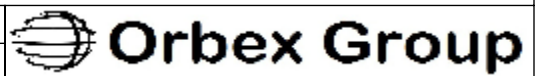
Feedback Element	Incremental Optical Encoder, 2500-line with commutation tracks
Operating Environment	Temperature: 0-40°C; Humidity <95%RH (Free from condensing)
Storage Environment	Temperature: -20-65°C; Humidity <95%RH (Free from condensing)
Insulation	Class F (155°C Winding Temperature)
Protection Class	IP65
Duty Cycle	Continuous



THIS DRAWING CONTAINS PROPRIETARY INFORMATION OF THE ORBEX GROUP AND MAY NOT BE IN WHOLE OR IN PART DUPLICATED OR DISCLOSED OR USED FOR MANUFACTURE OF ANY PART DISCLOSED HEREIN WITHOUT WRITTEN PERMISSION OF THE ORBEX GROUP.

CONFIDENTIAL

UNLESS OTHERWISE SPECIFIED:		
DRAWING SYMBOLS & TOLERANCES PER ANSI Y14.5		
DIMENSIONS ARE METRIC		
TOLERANCES:		
DECIMALS	LINEAR	ANGULAR
.X	±0.2	±0.5DEG
.XX	±0.02	±0.2DEG
.XXX	±0.005	±0.01DEG
INTERPRET GEOMETRIC TOLERANCING PER: ANSI Y14.5		
MATERIAL	SEE CHART	
FINISH	CLEAN	
DRAWN	Sun KPO 05/23/2019	



TITLE: **SERVO MOTOR**

SIZE B	PRT. NO. HPM80-01-200-01	REV A_1
---------------	---------------------------------	----------------

SCALE: 1:2 SHEET 1 OF 1