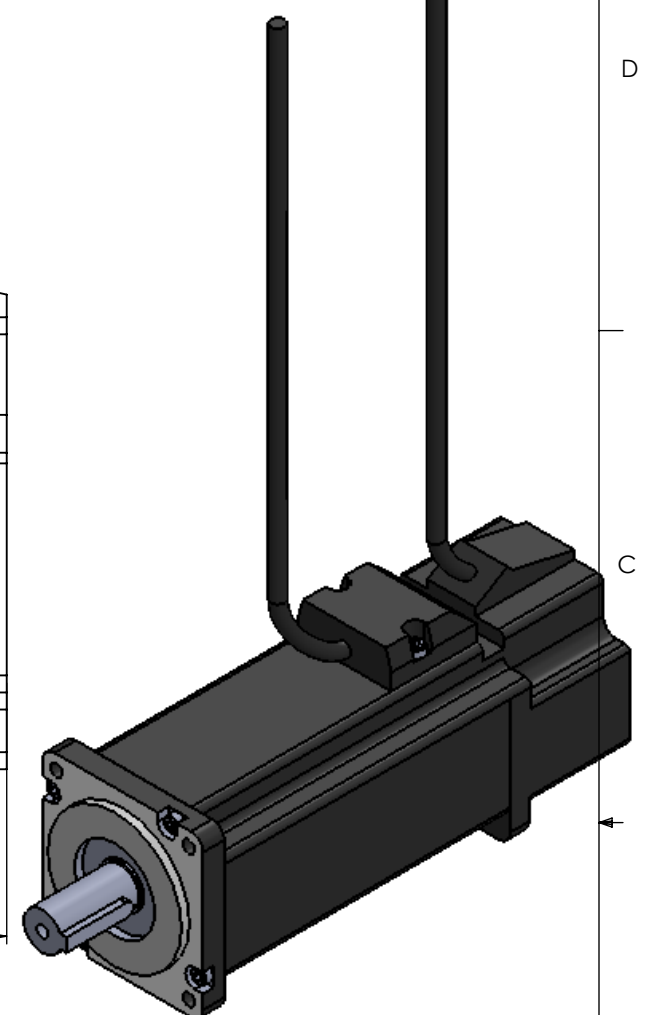
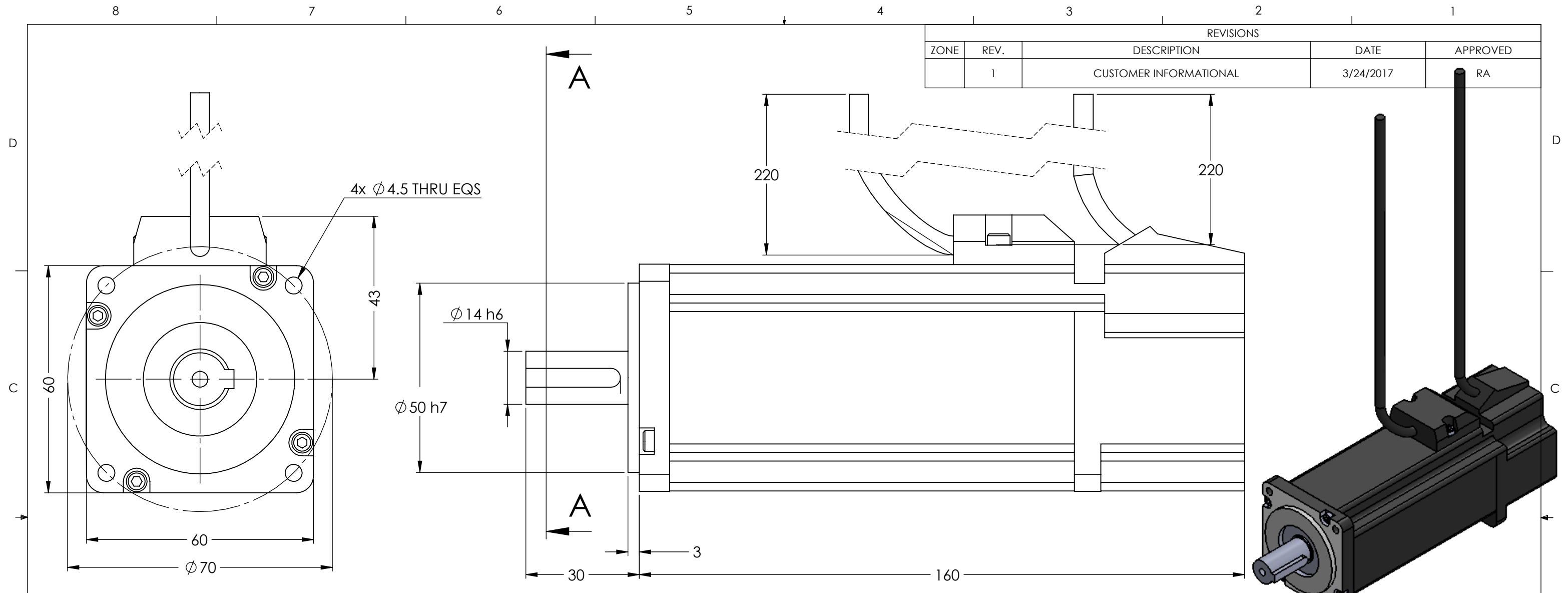


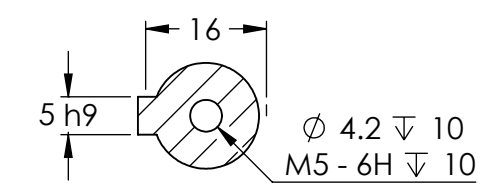
REVISIONS				
ZONE	REV.	DESCRIPTION	DATE	APPROVED
	1	CUSTOMER INFORMATIONAL	3/24/2017	RA



HPM60-03-48-01 Specifications

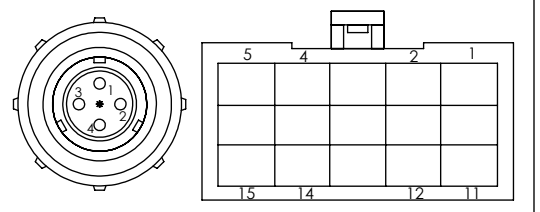
Parameter	Unit	Value
Rated Power	W	530
Rated Voltage	V _(DC)	48
Continuous Stall Torque	Nm	1.91
Max Torque	Nm	5.73
Rated Speed/Max Speed	rpm	3000/4000
Rated Current	A _(peak)	20
Max Current	A _(peak)	60
Ke : Back EMF Constant	V _(peak) /krpm	9.89
Kt : Torque Constant	Nm/A _(peak)	0.096
Moment of Inertia	x10 ⁻⁴ kgm ²	0.41
Number of Poles	#	8
Mass	kg	2

Feedback Element	Optical Encoder (2500 line)
Operating Environment	Temperature: 0-40°C; Humidity <95%RH (Free from condensing)
Storage Environment	Temperature: -20-65°C; Humidity <95%RH (Free from condensing)
Insulation	Class F (155°C Winding Temperature)
Protection Class	IP65
Duty Cycle	Continuous

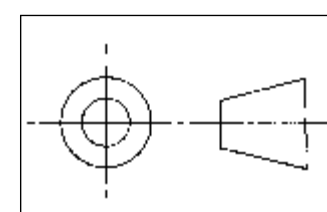


SECTION A-A

Motor Plug (Weipu SP2110/P)	
Mating Connector SP2111/S4II	
Plug Serial Number	1 2 3 4
Winding Lead Wire	U V W PE



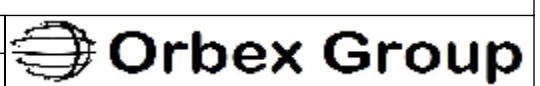
Encoder Plug (AMP 172171-1) Mates with AMP 172163-1															
Plug Serial Number	2	3	4	5	6	7	8	9	10	11	12	13	14	15	1
Encoder Signal	5V	0V	B+	Z-	U+	Z+	U-	A+	V+	W+	V-	A-	B-	W-	PE



THIS DRAWING CONTAINS PROPRIETARY INFORMATION OF THE ORBEX GROUP AND MAY NOT BE IN WHOLE OR IN PART DUPLICATED OR DISCLOSED OR USED FOR MANUFACTURE OF ANY PART DISCLOSED HEREIN WITHOUT WRITTEN PERMISSION OF THE ORBEX GROUP.

CONFIDENTIAL

UNLESS OTHERWISE SPECIFIED:		
DRAWING SYMBOLS & TOLERANCES PER ANSI Y14.5		
DIMENSIONS ARE METRIC		
TOLERANCES:		
DECIMALS	LINEAR	ANGULAR
.X	±0.2	±0.5DEG
.XX	±0.02	±0.2DEG
.XXX	±0.005	±0.01DEG
INTERPRET GEOMETRIC TOLERANCING PER: ANSI Y14.5		
MATERIAL		
FINISH	CLEAN	
DRAWN	Sun KPO 24-03-2017	



TITLE: **SERVO MOTOR**

SIZE	PRT. NO.	REV
B	HPM60-03-48-01	1
SCALE: 1:1	SHEET 1 OF 1	