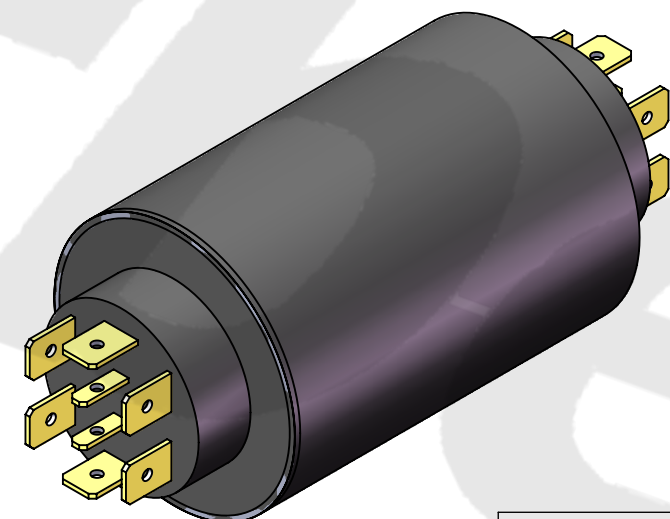
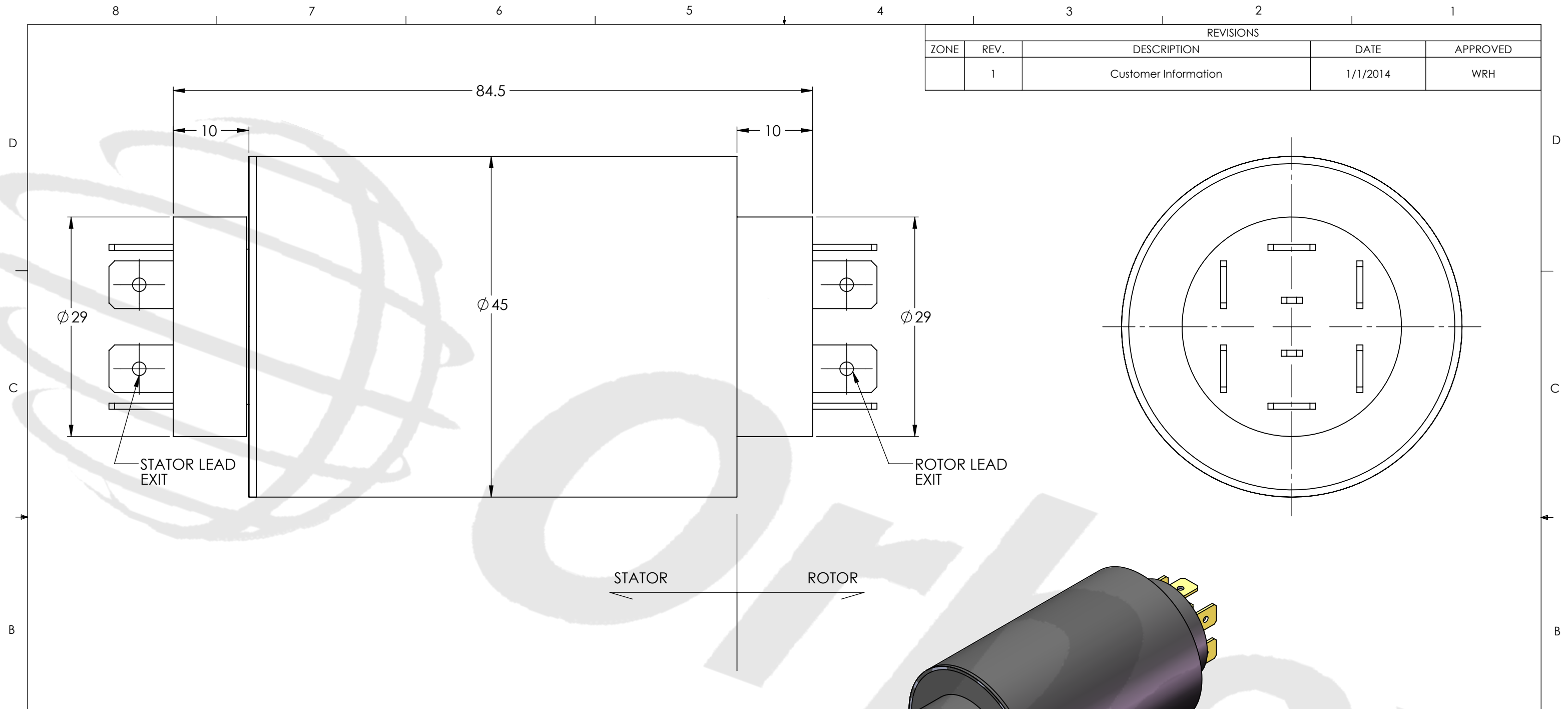


REVISIONS				
ZONE	REV.	DESCRIPTION	DATE	APPROVED
	1	Customer Information	1/1/2014	WRH



TECHNICAL DATA	
NUMBER OF CIRCUITS	8 (2 SIGNAL, 6 POWER)
RATED VOLTAGE	340 VDC/240 VAC
DIELECTRIC STRENGTH	500VAC@50Hz, 60s
RATED CURRENT	20A/RING (POWER), 5A/RING (SIGNAL)
NOMINAL SPEED	0-400 RPM
INSULATION RESISTANCE	1000 M $\Omega$ /500VDC
DYNAMIC CONTACT RESISTANCE	<10 m $\Omega$
CONTACT MATERIAL SURFACE	PRECIOUS METALS
TEMPERATURE	-20°C to + 80°C
BEARINGS	MINIATURE, PRECISION STEEL BEARINGS
HOUSING	ABS PLASTIC
PROTECTION	IP51

UNLESS OTHERWISE SPECIFIED:  
DRAWING SYMBOLS &  
TOLERANCES PER ANSI Y14.5  
DIMENSIONS ARE METRIC  
TOLERANCES:  
DECIMALS    LINEAR    ANGULAR  
.X            ±0.2            ±0.5DEG  
.XX          ±0.02          ±0.2DEG  
.XXX         ±0.005         ±0.01DEG



TITLE:  
**Slip Ring**

THIS DRAWING CONTAINS PROPRIETARY INFORMATION OF THE ORBEX GROUP AND MAY NOT BE IN WHOLE OR IN PART DUPLICATED OR DISCLOSED OR USED FOR MANUFACTURE OF ANY PART DISCLOSED HEREIN WITHOUT WRITTEN PERMISSION OF THE ORBEX GROUP.  
**CONFIDENTIAL**

INTERPRET GEOMETRIC TOLERANCING PER: ANSI Y14.5  
MATERIAL: SEE CHART  
FINISH: CLEAN  
DRAWN: MRJ 1/7/2014

SIZE	PRT. NO.	REV
<b>B</b>	<b>645-0206</b>	<b>1</b>
SCALE: 2:1		SHEET 1 OF 1