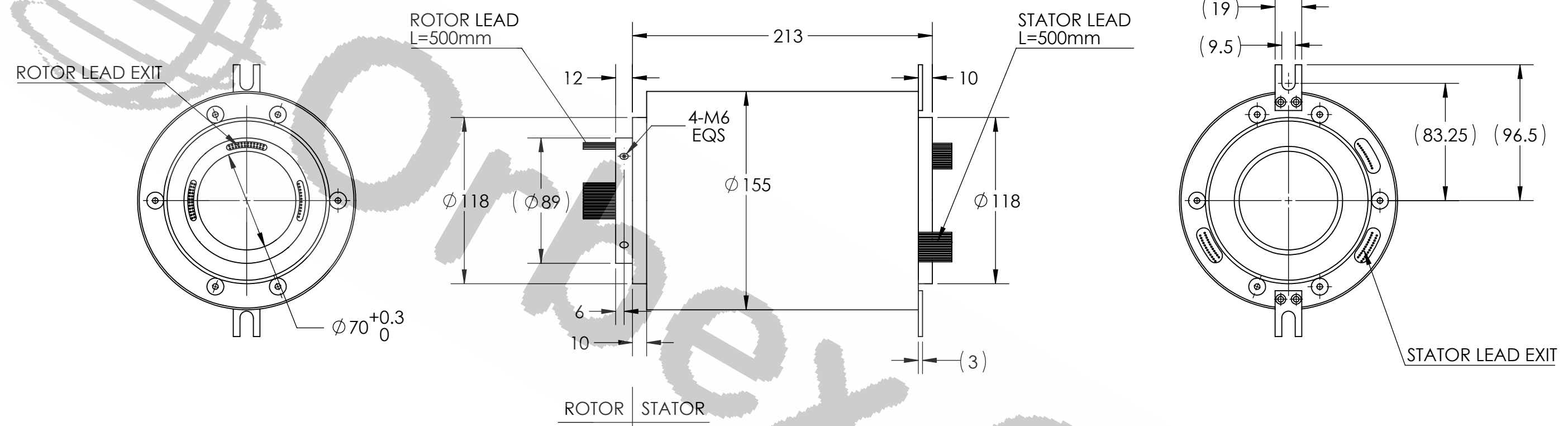


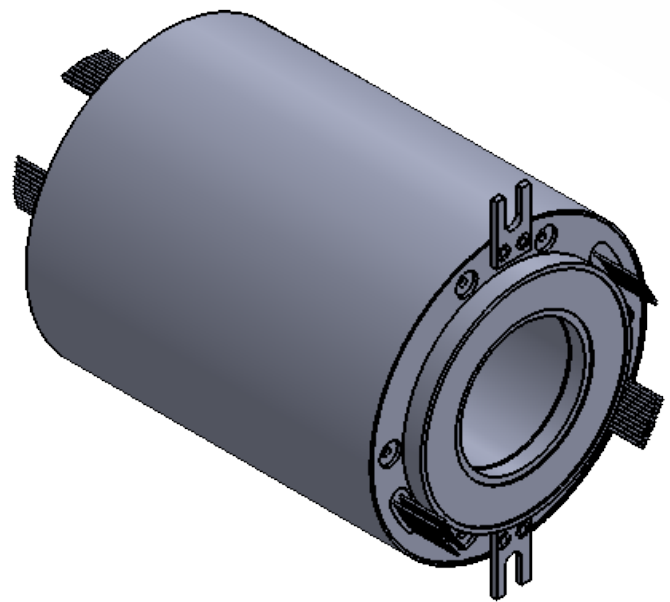
| REVISIONS | | | | |
|-----------|------|------------------------|------------|----------|
| ZONE | REV. | DESCRIPTION | DATE | APPROVED |
| | A | CUSTOMER INFORMATIONAL | 01/17/2019 | RA |

D
C
B
A

D
C
B
A



| TECHNICAL DATA | |
|----------------------------|---|
| NUMBER OF CIRCUITS | 60 SIGNAL |
| RATED VOLTAGE | 240 VAC/VDC |
| DIELECTRIC STRENGTH | 500VAC@50Hz,60s |
| RATED CURRENT | 5A |
| NOMINAL SPEED | 250 RPM |
| INSULATION RESISTANCE | $\geq 500 \text{ M}\Omega/500\text{VDC}$ |
| DYNAMIC CONTACT RESISTANCE | <10 m Ω |
| LEAD | TEFLON |
| LEAD LENGTH | 500mm |
| TEMPERATURE | -20°C to + 80°C |
| BEARINGS | STAINLESS STEEL BALL BEARINGS |
| HOUSING | ALUMINIUM (BLACK ANODIZED) AND ENGINEERED PLASTIC |
| PROTECTION | IP65 |



| WIRE COLOR CODE | |
|---------------------------|------------------------|
| 1/13/25/37/49. RED | 2/14/26/38/50. YELLOW |
| 3/15/27/39/51. BLACK | 4/16/28/40/52. BLUE |
| 5/17/29/41/53. GREEN | 6/18/30/42/54. WHITE |
| 7/19/31/43/55. PURPLE | 8/20/32/44/56. GRAY |
| 9/21/33/45/57. BROWN | 10/22/34/46/58. ORANGE |
| 11/23/35/47/59. DARK BLUE | 12/24/36/48/60. KHAKI |

Geometric symbols for circular runout and taper.

THIS DRAWING CONTAINS PROPRIETARY INFORMATION OF THE ORBEX GROUP AND MAY NOT BE IN WHOLE OR IN PART DUPLICATED OR DISCLOSED OR USED FOR MANUFACTURE OF ANY PART DISCLOSED HEREIN WITHOUT WRITTEN PERMISSION OF THE ORBEX GROUP.

CONFIDENTIAL

| | |
|---|--------------------|
| UNLESS OTHERWISE SPECIFIED: ANGLE: $\pm 0.5^\circ$ | |
| LINEAR DIMENSION: | |
| 0.5-6 | ± 0.1 |
| >6-30 | ± 0.2 |
| >30-120 | ± 0.3 |
| >120-400 | ± 0.5 |
| >400-1000 | ± 0.8 |
| >1000-2000 | ± 1.2 |
| >2000-4000 | ± 2 |
| MATERIAL | SEE CHART |
| FINISH | CLEAN |
| DRAWN | Sun KPO 01/17/2019 |

Orbex Group

TITLE: **SLIP RING**

SIZE: **B** PRT. NO.: **570-6000-F** REV: **A**

SCALE: NTS SHEET 1 OF 1

8 7 6 5 4 3 2 1