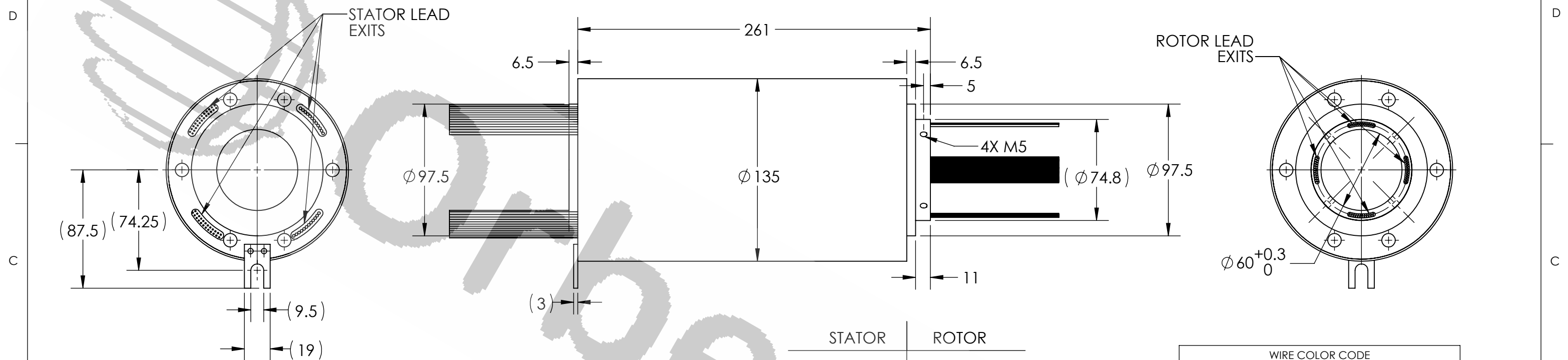


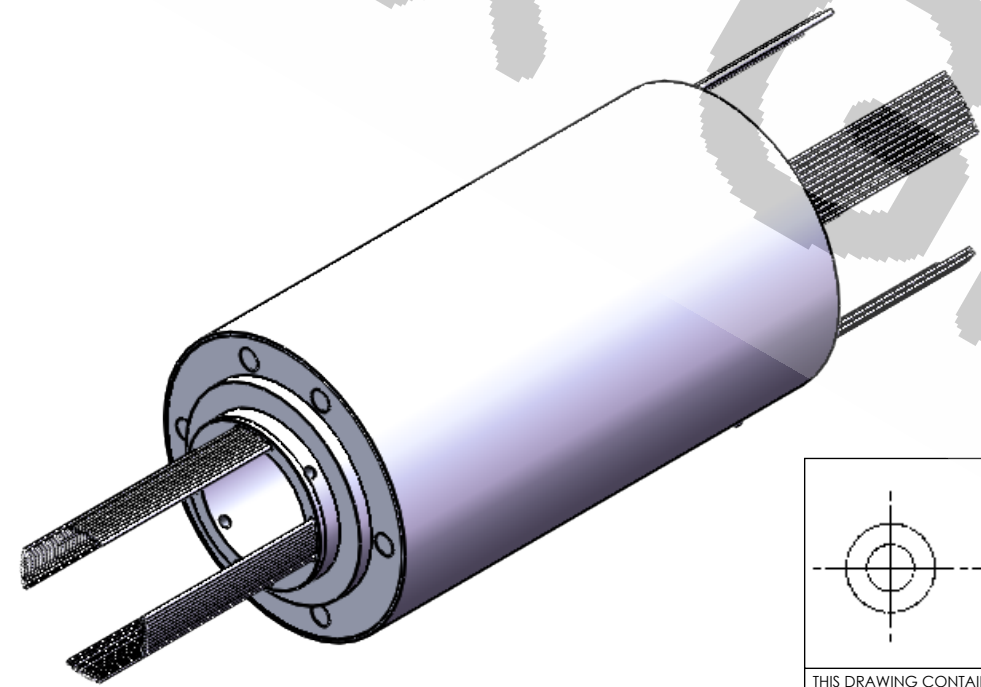
REVISIONS				
ZONE	REV.	DESCRIPTION	DATE	APPROVED
	A	CUSTOMER INFORMATIONAL	01/11/2019	RA



NOTE: X IN PART NUMBER IS A PLACE HOLDER FOR POWER CURRENT OPTION. A= 10 A/CIRCUIT AWG 16, B=15 A/CIRCUIT AWG 14, AND C=20 A/CIRCUIT AWG12.

TECHNICAL DATA	
NUMBER OF CIRCUITS	60 SIGNAL/12 POWER
RATED VOLTAGE	460 VAC (POWER)/240 VAC/VDC (SIGNAL)
DIELECTRIC STRENGTH	500VAC@50Hz, 60s
RATED CURRENT(POWER)	A=10A, B=15A, C=20A
RATED CURRENT(SIGNAL)	5A
NOMINAL SPEED	250RPM
INSULATION RESISTANCE	>500M Ω /500VDC
DYNAMIC CONTACT RESISTANCE	<10 m Ω
LEADS	TEFLON
LEAD LENGTH	500mm
TEMPERATURE	-20°C to + 80°C
BEARINGS	STAINLESS STEEL BALL BEARING
HOUSING	ALUMINUM (BLACK ANODIZED)
PROTECTION	IP65

WIRE COLOR CODE	
22 AWG (60 SIGNAL CIRCUITS)	
1/13/25/37/49. RED	2/14/26/38/50. YELLOW
3/15/27/39/51. BLACK	4/16/28/40/52. BLUE
5/17/29/41/53. GREEN	6/18/30/42/54. WHITE
7/19/31/43/55. PURPLE	8/20/32/44/56. GRAY
9/21/33/45/57. BROWN	10/22/34/46/58. ORANGE
11/23/35/47/59. DARK BLUE	12/24/36/48/60. KHAKI
(12 POWER CIRCUITS)	
1. RED	2. YELLOW
3. BLACK	4. BLUE
5. GREEN	6. WHITE
7. PURPLE	8. GRAY
9. BROWN	10. ORANGE
11. DARK BLUE	12. KHAKI



UNLESS OTHERWISE SPECIFIED:
ANGLE: $\pm 0.5^\circ$

LINEAR DIMENSION:	
0.5-6	± 0.1
>6-30	± 0.2
>30-120	± 0.3
>120-400	± 0.5
>400-1000	± 0.8
>1000-2000	± 1.2
>2000-4000	± 2

MATERIAL: SEE CHART

FINISH: CLEAN

DRAWN: Sun KPO 01/11/2019

Orbex Group

TITLE: **SLIP RING**

THIS DRAWING CONTAINS PROPRIETARY INFORMATION OF THE ORBEX GROUP AND MAY NOT BE IN WHOLE OR IN PART DUPLICATED OR DISCLOSED OR USED FOR MANUFACTURE OF ANY PART DISCLOSED HEREIN WITHOUT WRITTEN PERMISSION OF THE ORBEX GROUP.

CONFIDENTIAL

SIZE: B	PRT. NO.: 560-6012X-F	REV: A
SCALE: NTS		SHEET 1 OF 1