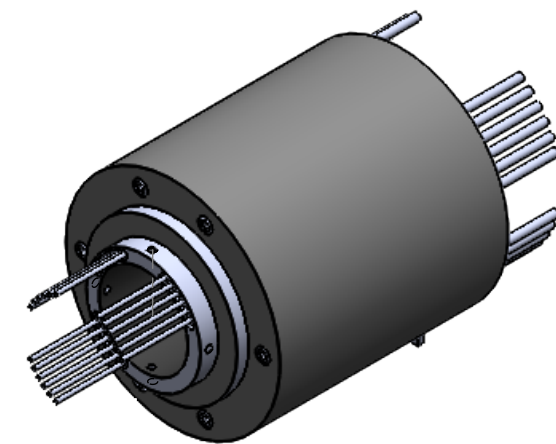
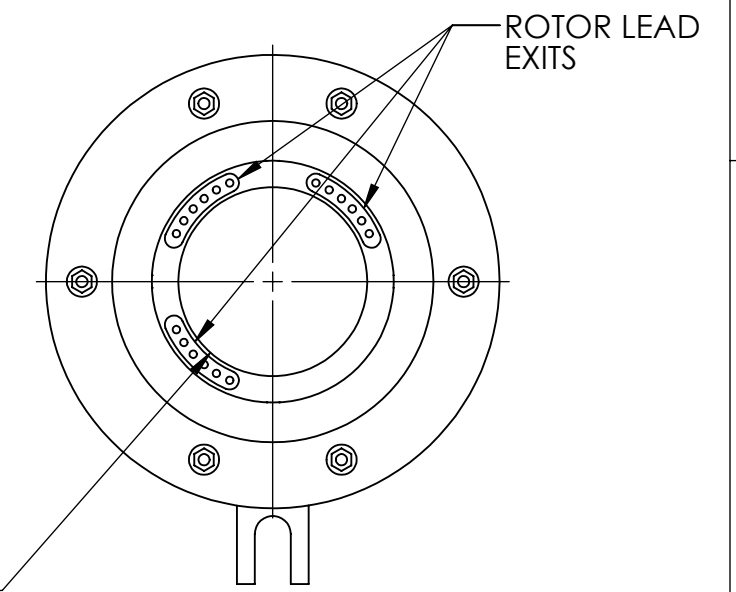
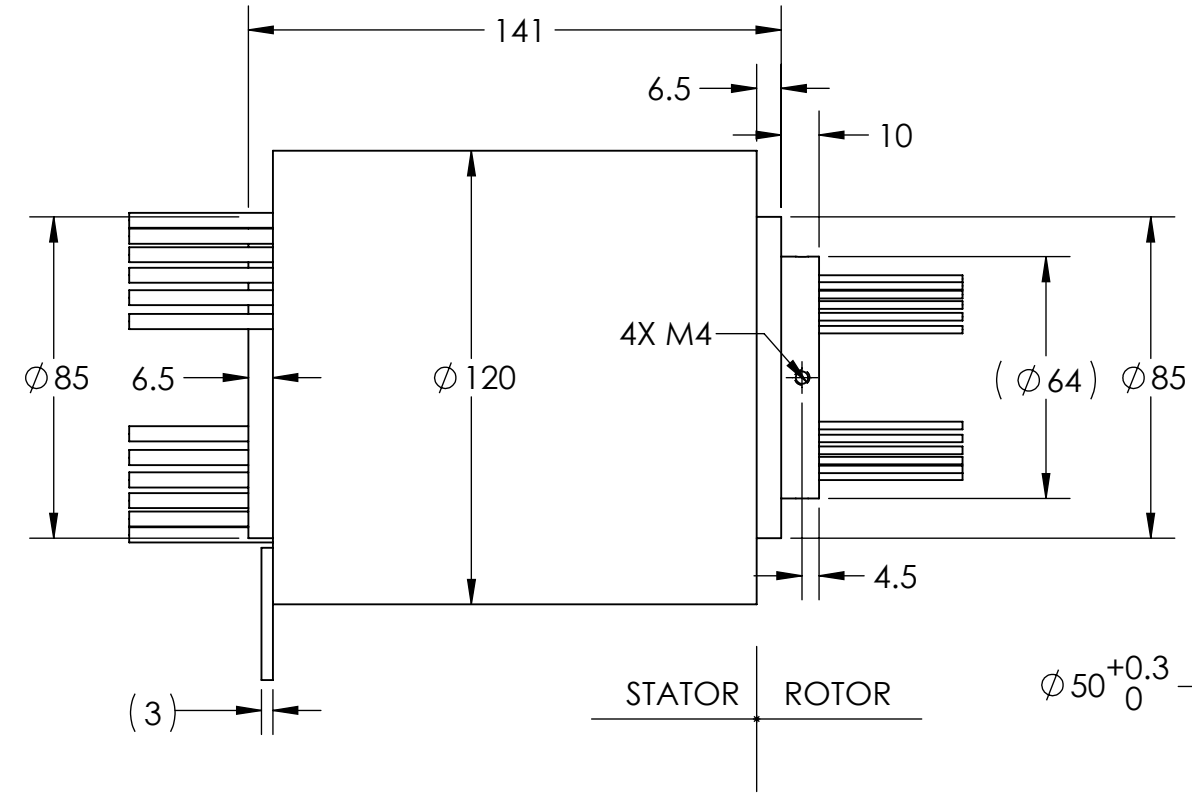
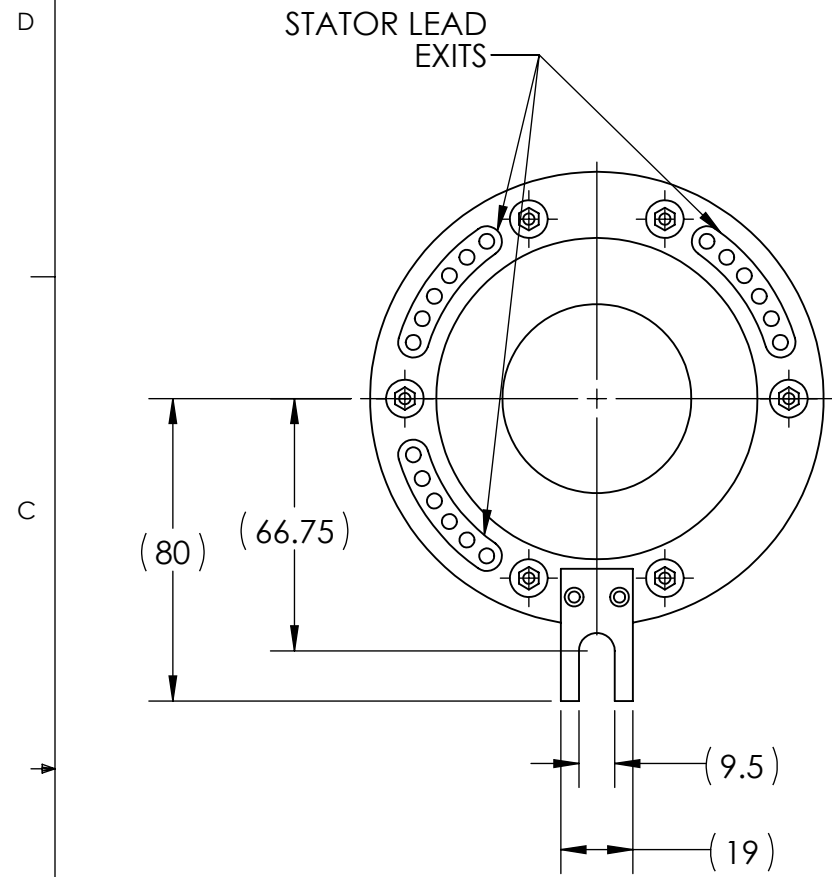


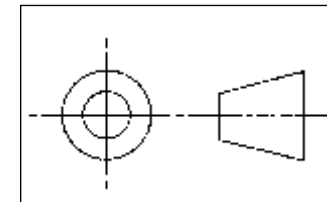
REVISIONS				
ZONE	REV.	DESCRIPTION	DATE	APPROVED
	2	CUSTOMER INFORMATIONAL	12/18/2017	RA



NOTE: X IN PART NUMBER IS A PLACE HOLDER FOR POWER CURRENT OPTION.  
 A= 10 A/CIRCUIT AWG 16, B=15A/CIRCUIT AWG 14, AND C=20 A/CIRCUIT AWG 12.

TECHNICAL DATA	
NUMBER OF CIRCUITS	18
RATED VOLTAGE	460 VAC
DIELECTRIC STRENGTH	500VAC@50Hz,60s
RATED CURRENT	A=10A, B=15A, C=20A
NOMINAL SPEED	250 RPM
INSULATION RESISTANCE	>500 MΩ/500VDC
DYNAMIC CONTACT RESISTANCE	<10 mΩ
LEADS	TEFLON
LEAD LENGTH	500mm
TEMPERATURE	-20°C to + 80°C
BEARINGS	STAINLESS STEEL BALL BEARING
HOUSING	ALUMINUM(BLACK ANODIZED)
PROTECTION	IP65

WIRE COLOR CODE (18 POWER CIRCUITS)	
1/13. RED	2/14. YELLOW
3/15. BLACK	4/16. BLUE
5/17. GREEN	6/18. WHITE
7. PURPLE	8. GRAY
9. BROWN	10. ORANGE
11. DARK BLUE	12. KHAKI



THIS DRAWING CONTAINS PROPRIETARY INFORMATION OF THE ORBEX GROUP AND MAY NOT BE IN WHOLE OR IN PART DUPLICATED OR DISCLOSED OR USED FOR MANUFACTURE OF ANY PART DISCLOSED HEREIN WITHOUT WRITTEN PERMISSION OF THE ORBEX GROUP.  
**CONFIDENTIAL**

UNLESS OTHERWISE SPECIFIED: ANGLE: ±0.5°	
LINEAR DIMENSION	
0.5-6	±0.1
>6-30	±0.2
>30-120	±0.3
>120-400	±0.5
>400-1000	±0.8
>1000-2000	±1.2
>2000-4000	±2
MATERIAL	SEE CHART
FINISH	CLEAN
DRAWN	Sun KPO 12/18/2017

**Orbex Group**

TITLE: **SLIP RING**

SIZE <b>B</b>	PRT. NO. <b>550-0018X-F</b>	REV <b>2</b>
SCALE: NTS		SHEET 1 OF 1