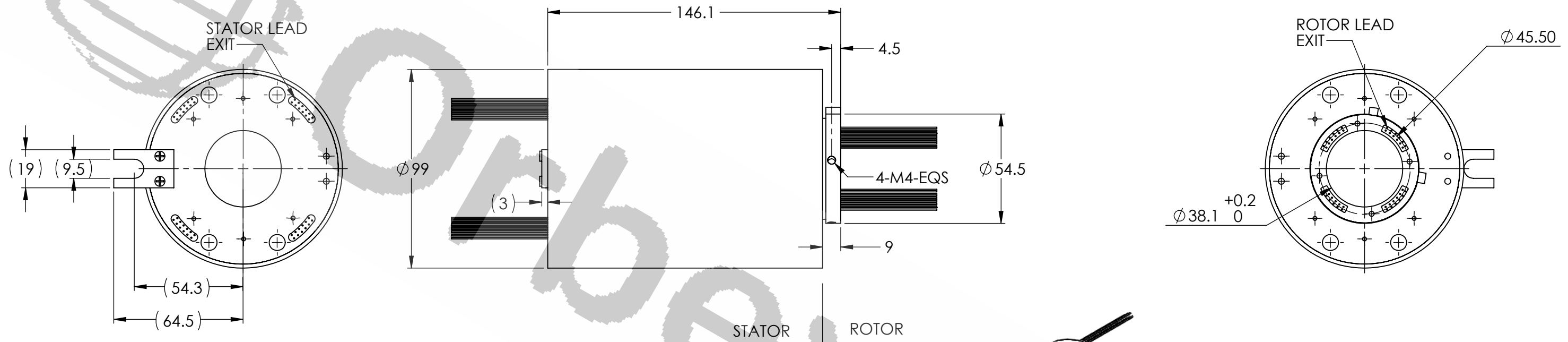


REVISIONS				
ZONE	REV.	DESCRIPTION	DATE	APPROVED
	2	CUSTOMER INFORMATIONAL	08/29/2017	RA



NOTE: FOR 15 AMP POWER CIRCUITS, ADD "-B" TO PART NUMBER

TECHNICAL DATA	
NUMBER OF CIRCUITS	48 SIGNAL
RATED VOLTAGE	240 VAC(SIGNAL)
DIELECTRIC STRENGTH	500VAC@ 50Hz, 60s
RATED CURRENT (SIGNAL)	2A
NOMINAL SPEED	250 RPM
INSULATION RESISTANCE	>500 MΩ/500 VDC
DYNAMIC CONTACT RESISTANCE	<10 mΩ
CONTACT MATERIAL SURFACE	PRECIOUS METAL
LEAD	26 AWG SIGNAL
LEAD LENGTH	500mm
TEMPERATURE	-20°C to + 80°C
BEARINGS	STAINLESS STEEL BALL BEARINGS
HOUSING	ALUMINUM (BLACK ANODIZED)
PROTECTION	IP65

WIRE COLOR CODE	
1/13/25/37. RED	2/14/26/38. YELLOW
3/15/27/39. BLACK	4/16/28/40. BLUE
5/17/29/41. GREEN	6/18/30/42. WHITE
7/19/31/43. PURPLE	8/20/32/44. GRAY
9/21/33/45. BROWN	10/22/34/46. ORANGE
11/23/35/47. DARK BLUE	12/24/36/48. KHAKI

UNLESS OTHERWISE SPECIFIED:
ANGLE: ±0.5°

LINEAR DIMENSION:	
0.5-6	±0.1
>6-30	±0.2
>30-120	±0.3
>120-400	±0.5
>400-1000	±0.8
>1000-2000	±1.2
>2000-4000	±2

MATERIAL: SEE CHART

FINISH: CLEAN

DRAWN: Sun KPO 08/29/2017

CONFIDENTIAL

Orbex Group

TITLE: **SLIP RING**

SIZE: **B**

PRT. NO.: **538-4800-F**

REV: **2**

SCALE: 1:1

SHEET 1 OF 1