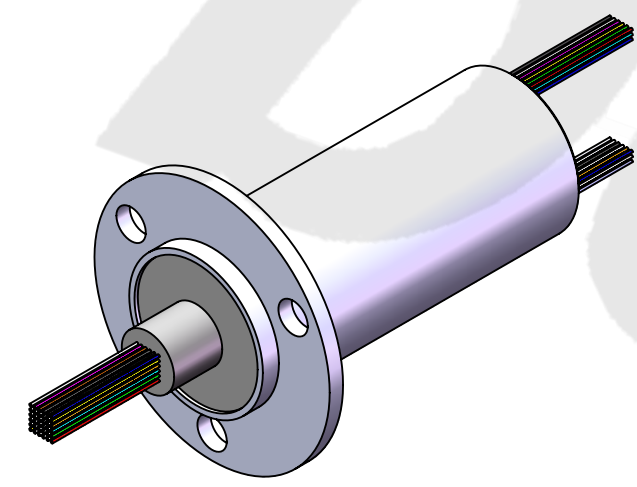
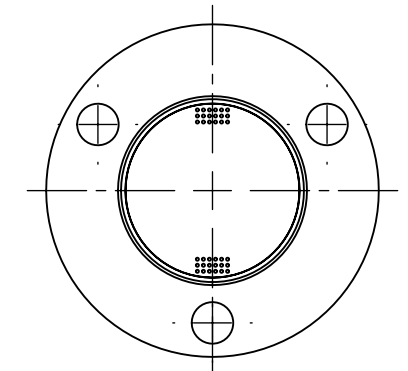
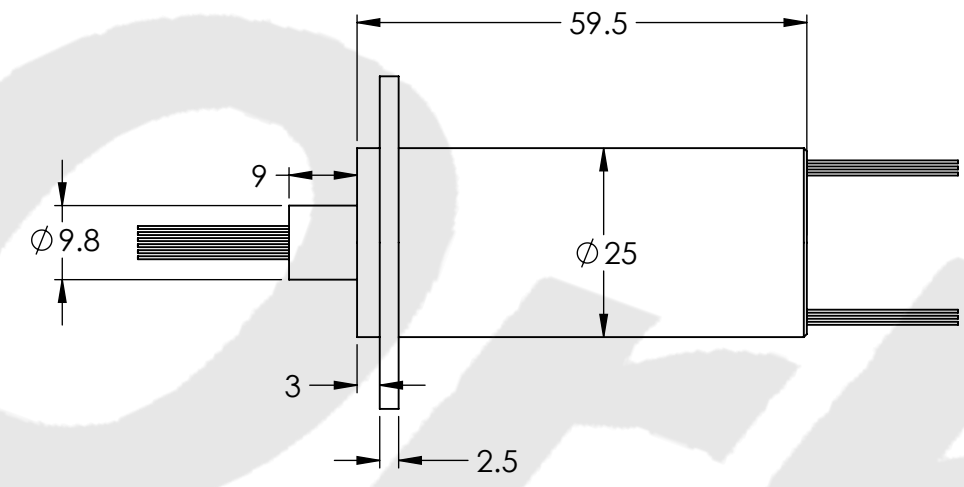
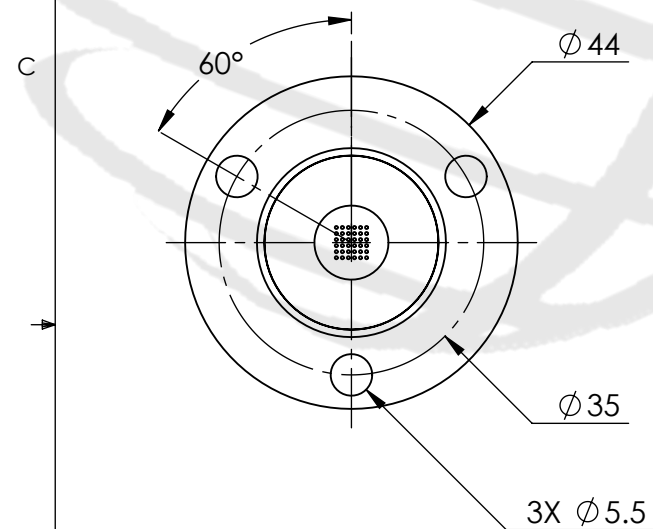


1	Stator Exit 1 Red Shrink Tube																	
Ring No.	1	3	5	7	9	11	13	15	17	19	21	23	25	27	29	31	33	35
Color Code	RED	GRN	YEL	PUP	GRY	BLK	BLU	DBLU	BRN	ORN	WHT	KHK	WHT-RED	WHT-BLK	WHT-BLU	WHT-PUP	WHT-BRN	WHT-GRN
2	Stator Exit 2 Blue Shrink Tube																	
Ring No.	2	4	6	8	10	12	14	16	18	20	22	24	26	28	30	32	34	36
Color Code	RED	GRN	YEL	PUP	GRY	BLK	BLU	DBLU	BRN	ORN	WHT	KHK	WHT-RED	WHT-BLK	WHT-BLU	WHT-PUP	WHT-BRN	WHT-GRN

REVISIONS				
ZONE	REV.	DESCRIPTION	DATE	APPROVED
	1	Customer Information	1/1/2014	WRH



TECHNICAL DATA	
NUMBER OF CIRCUITS	36
RATED CURRENT	2A/RING
RATED VOLTAGE	240 VDC/AC
DIELECTRIC STRENGTH	500VAC@50Hz
INSULATION RESISTANCE	1000 MΩ/500VDC
DYNAMIC CONTACT RESISTANCE	<10 mΩ
NOMINAL SPEED	300 RPM
CONTACT MATERIAL SURFACE	GOLD-GOLD
LEADWIRES	26 AWG, COLOR CODE, SILVER PLATED, PTFE INSULATED
STANDARD LEAD LENGTH	250MM
TEMPERATURE	-20°C to + 80°C
BEARINGS	MINIATURE, PRECISION STEEL BEARINGS
HOUSING	ALUMINUM
PROTECTION	IP51

THIS DRAWING CONTAINS PROPRIETARY INFORMATION OF THE ORBEX GROUP AND MAY NOT BE IN WHOLE OR IN PART DUPLICATED OR DISCLOSED OR USED FOR MANUFACTURE OF ANY PART DISCLOSED HEREIN WITHOUT WRITTEN PERMISSION OF THE ORBEX GROUP.

**CONFIDENTIAL**

UNLESS OTHERWISE SPECIFIED: DRAWING SYMBOLS & TOLERANCES PER ANSI Y14.5 DIMENSIONS ARE METRIC TOLERANCES: DECIMALS    LINEAR    ANGULAR .X            ±0.2            ±0.5DEG .XX          ±0.02          ±0.2DEG .XXX        ±0.005        ±0.01DEG		<b>Orbex Group</b>	
INTERPRET GEOMETRIC TOLERANCING PER: ANSI Y14.5		TITLE: <b>SLIP RING</b>	
MATERIAL SEE CHART	SIZE <b>B</b>	PRT. NO. <b>325M1-3600</b>	REV <b>1</b>
FINISH CLEAN	DRAWN MRJ 3/28/2014	SCALE: 1:1	SHEET 1 OF 2