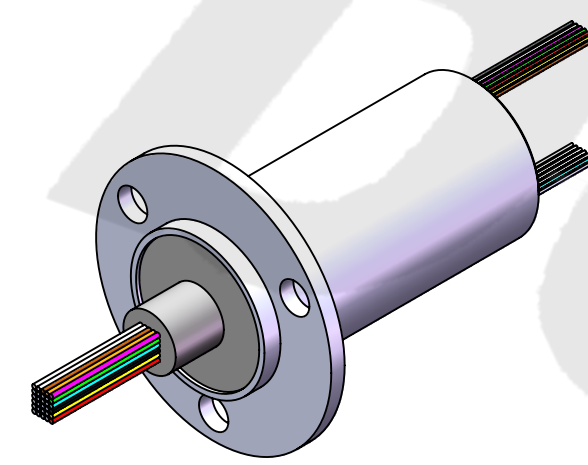
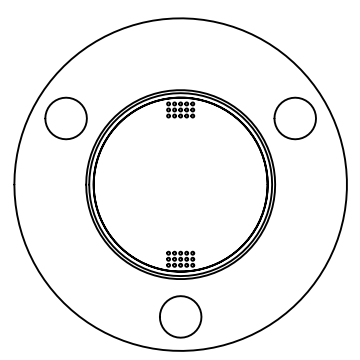
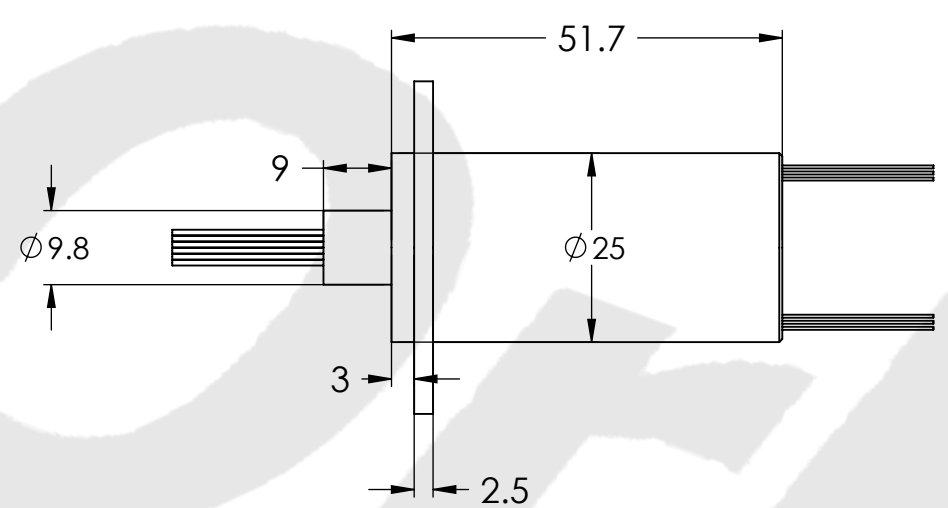
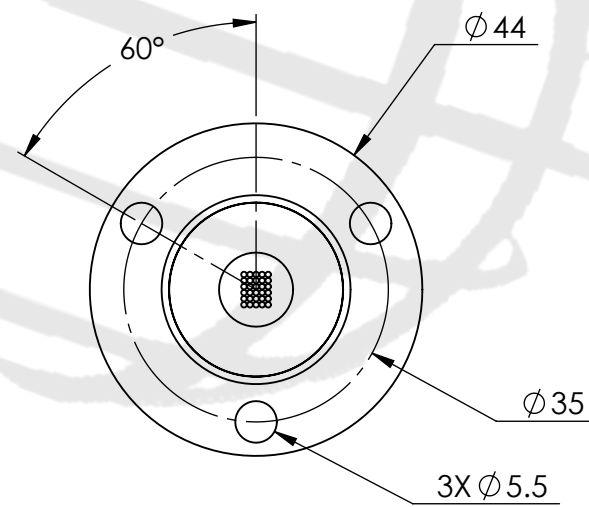


1	Stator Exit 1 Red Shrink Tube														
Ring No.	1	3	5	7	9	11	13	15	17	19	21	23	25	27	29
Color Code	RED	GRN	YEL	PUP	GRY	BLK	BLU	DBLU	BRN	ORN	WHT	KHK	WHT-RED	WHT-BLK	WHT-BLU
2	Stator Exit 2 Blue Shrink Tube														
Ring No.	2	4	6	8	10	12	14	16	18	20	22	24	26	28	30
Color Code	RED	GRN	YEL	PUP	GRY	BLK	BLU	DBLU	BRN	ORN	WHT	KHK	WHT-RED	WHT-BLK	WHT-BLU

REVISIONS				
ZONE	REV.	DESCRIPTION	DATE	APPROVED
	1	Customer Information	1/1/2014	WRH



TECHNICAL DATA	
NUMBER OF CIRCUITS	30
RATED VOLTAGE	240 VDC/AC
DIELECTRIC STRENGTH	500VAC@50Hz
RATED CURRENT	2A/RING
NOMINAL SPEED	0-300 RPM
INSULATION RESISTANCE	1000 MΩ/500VDC
DYNAMIC CONTACT RESISTANCE	<10 mΩ
CONTACT MATERIAL SURFACE	GOLD-GOLD
LEAD	26 AWG, COLOR CODE, SILVER PLATED, PTFE INSULATED LEAD WIRES
STANDARD LEAD LENGTH	250 mm
TEMPERATURE	-20°C to + 80°C standard
BEARINGS	MINIATURE, PRECISION STEEL BEARINGS
HOUSING	Aluminum
PROTECTION	IP51

THIS DRAWING CONTAINS PROPRIETARY INFORMATION OF THE ORBEX GROUP AND MAY NOT BE IN WHOLE OR IN PART DUPLICATED OR DISCLOSED OR USED FOR MANUFACTURE OF ANY PART DISCLOSED HEREIN WITHOUT WRITTEN PERMISSION OF THE ORBEX GROUP.

CONFIDENTIAL

UNLESS OTHERWISE SPECIFIED:		
DRAWING SYMBOLS & TOLERANCES PER ANSI Y14.5		
DIMENSIONS ARE METRIC		
TOLERANCES:		
DECIMALS	LINEAR	ANGULAR
.X	±0.2	±0.5DEG
.XX	±0.02	±0.2DEG
.XXX	±0.005	±0.01DEG
INTERPRET GEOMETRIC TOLERANCING PER: ANSI Y14.5		
MATERIAL	SEE CHART	
FINISH	CLEAN	
DRAWN	MRJ	3/28/2014

Orbex Group

TITLE: **SLIP RING**

SIZE	PRT. NO.	REV
B	325M1-3000	1

SCALE: 1:1 | SHEET 1 OF 1