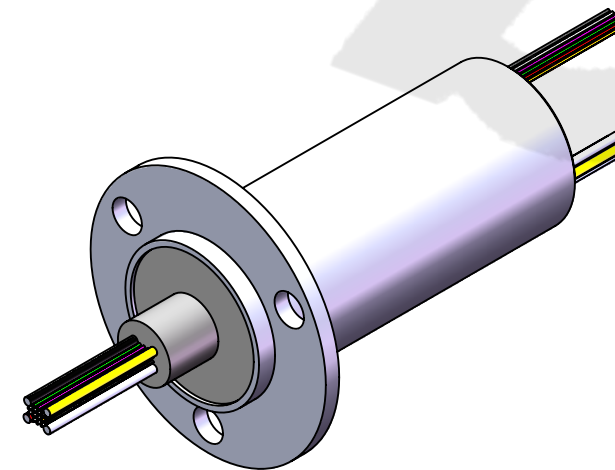
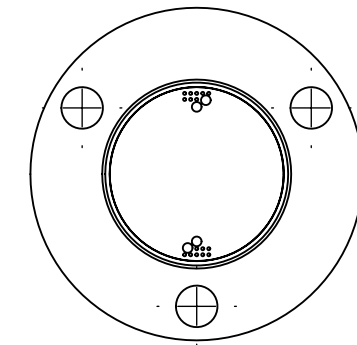
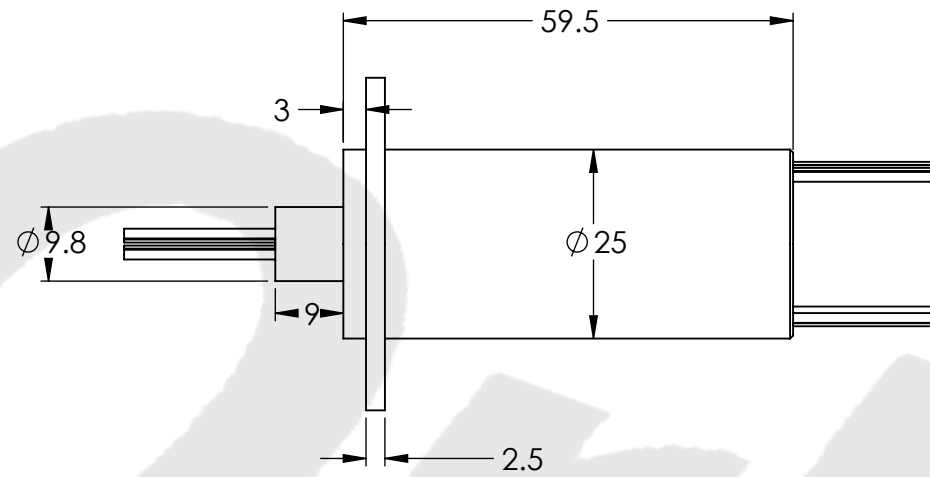
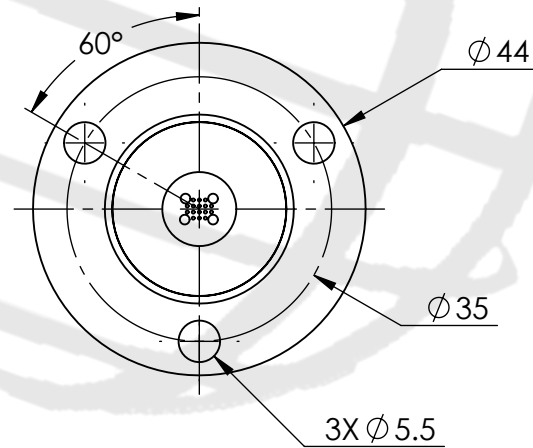


1	Stator Exit 1 Blue Shrink tube									
Ring No.	1	3	5	7	9	11	13	15	<b>17</b>	<b>19</b>
Color Code	RED	YEL	GRY	BLU	BRN	WHT	WHT-RED	WHT-BLU	<b>RED</b>	<b>WHT</b>
2	Stator Exit 2 Blue Shrink tube									
Ring No.	2	4	6	8	10	12	14	16	<b>18</b>	<b>20</b>
Color Code	GRN	PUP	BLK	DBLU	ORN	KHK	WHT-BLK	WHIT-PUP	<b>BLK</b>	<b>YEL</b>

COLUMNS IN **BOLD** INDICATE A POWER CIRCUIT

REVISIONS				
ZONE	REV.	DESCRIPTION	DATE	APPROVED
	1	Customer Information	1/1/2014	WRH



TECHNICAL DATA	
NUMBER OF CIRCUITS	20 (16@2A, 4@10A)
RATED VOLTAGE	240 VDC/AC
DIELECTRIC STRENGTH	500VAC@50Hz
RATED CURRENT	2A/RING (SIGNAL), 6A/RING (POWER)
NOMINAL SPEED	300 RPM
INSULATION RESISTANCE	1000 MΩ/500VDC
DYNAMIC CONTACT RESISTANCE	<10 mΩ
CONTACT MATERIAL SURFACE	GOLD-GOLD
LEAD	AWG26 (2A), AWG22 (6A), COLOR CODED, PTFE INSULATED, SILVER PLATED
STANDARD LEAD LENGTH	250mm
TEMPERATURE	-20°C to + 80°C
BEARINGS	MINIATURE, PRECISION STEEL BEARINGS
HOUSING	ALUMINUM
PROTECTION	IP51

THIS DRAWING CONTAINS PROPRIETARY INFORMATION OF THE ORBEX GROUP AND MAY NOT BE IN WHOLE OR IN PART DUPLICATED OR DISCLOSED OR USED FOR MANUFACTURE OF ANY PART DISCLOSED HEREIN WITHOUT WRITTEN PERMISSION OF THE ORBEX GROUP.  
**CONFIDENTIAL**

UNLESS OTHERWISE SPECIFIED: DRAWING SYMBOLS & TOLERANCES PER ANSI Y14.5 DIMENSIONS ARE METRIC TOLERANCES: DECIMALS    LINEAR    ANGULAR .X            ±0.2            ±0.5DEG .XX          ±0.02          ±0.2DEG .XXX        ±0.005        ±0.01DEG		<b>Orbex Group</b>	
INTERPRET GEOMETRIC TOLERANCING PER: ANSI Y14.5		TITLE: <b>Slip Ring</b>	
MATERIAL <b>SEE CHART</b>	SIZE <b>B</b>	PRT. NO. <b>325M1-1604B</b>	REV <b>1</b>
FINISH <b>CLEAN</b>	DRAWN MRJ 3/28/2014	SCALE: 1:1	SHEET 1 OF 1