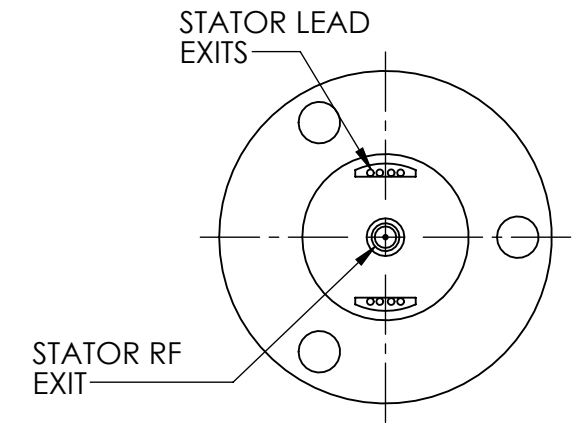
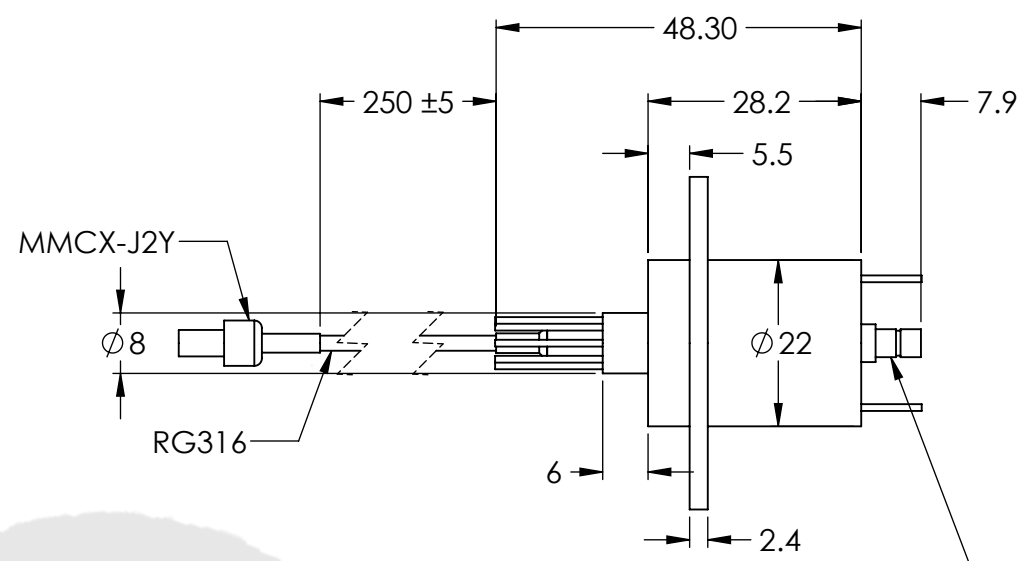
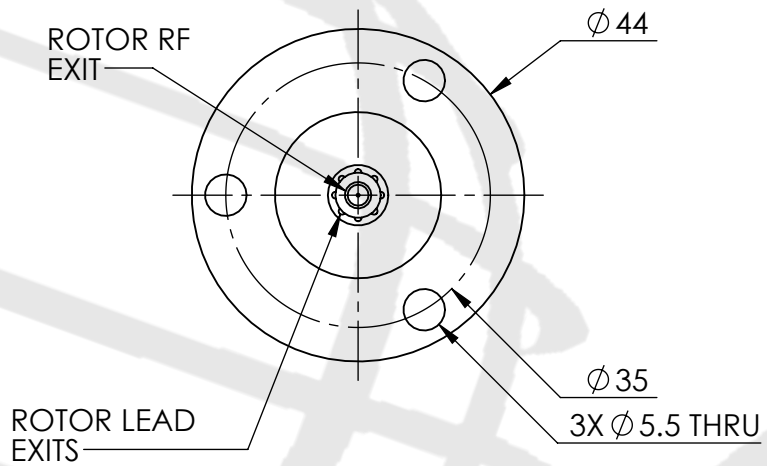
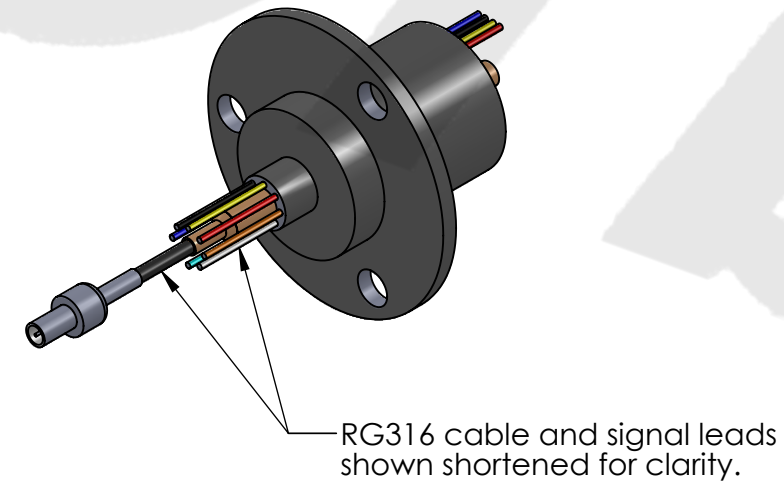
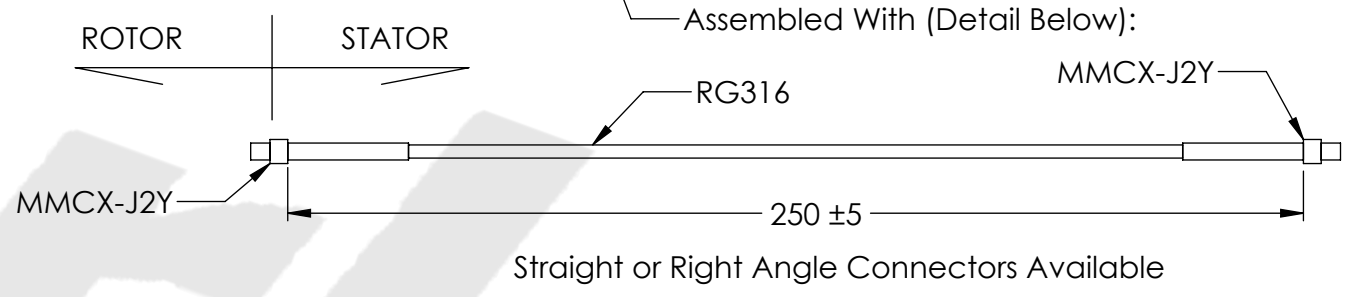


| REVISIONS | | | | |
|-----------|------|----------------------|----------|----------|
| ZONE | REV. | DESCRIPTION | DATE | APPROVED |
| | 1 | Customer Information | 1/1/2014 | WRH |



ROTOR AND STATOR LEADS FOR VISUALIZATION ONLY. TRUE NUMBERS, ORIENTATION, SIZE, LOCATION, AND COLORS CAN VARY BASED ON SPECIFICATIONS. ROTOR AND STATOR EXIT POINTS NOTED.



| TECHNICAL DATA | |
|----------------------------|--|
| NUMBER OF CIRCUITS | 13 (12 Signal, 1 RF Signal) |
| RATED VOLTAGE | 240 VDC/240 VAC |
| DIELECTRIC STRENGTH | 500VAC@50Hz,60s |
| RATED CURRENT | 2A/RING |
| NOMINAL SPEED | 0-300RPM |
| INSULATION RESISTANCE | 1000 M Ω /500VDC |
| DYNAMIC CONTACT RESISTANCE | <10 m Ω |
| CONTACT MATERIAL SURFACE | GOLD-GOLD |
| LEAD | 28 AWG, COLOR CODE, SILVER PLATED, PTFE INSULATED LEAD WIRES |
| STANDARD LEAD LENGTH | 250mm |
| TEMPERATURE | -20°C to + 80°C |
| BEARINGS | MINIATURE, PRECISION STEEL BEARINGS |
| HOUSING | ABS PLASTIC |
| PROTECTION | IP51 |

| SPECIFICATION FOR RF COAXIAL CONNECTOR | |
|--|---------|
| SPECIFICATION | VALUES |
| IMPEDANCE | 50 OHMS |
| CABLE TYPE | RG316 |
| CONNECTOR TYPE | MMCX |
| FREQUENCY RANGE | DC-3GHz |
| TRANSMISSION RATE | >3Gbps |

| WIRE COLOR CODE | |
|-------------------------------------|--------------|
| 28 AWG SIGNAL CIRCUITS (2A/CIRCUIT) | |
| 1. RED | 2. GREEN |
| 3. YELLOW | 4. PURPLE |
| 5. GRAY | 6. BLACK |
| 7. BLUE | 8. DARK BLUE |
| 9. BROWN | 10. ORANGE |
| 11. WHITE | 12. KHAKI |

THIS DRAWING CONTAINS PROPRIETARY INFORMATION OF THE ORBEX GROUP AND MAY NOT BE IN WHOLE OR IN PART DUPLICATED OR DISCLOSED OR USED FOR MANUFACTURE OF ANY PART DISCLOSED HEREIN WITHOUT WRITTEN PERMISSION OF THE ORBEX GROUP.

CONFIDENTIAL

| | | | |
|---|------------------|----------------------------------|------------------|
| UNLESS OTHERWISE SPECIFIED: DRAWING SYMBOLS & TOLERANCES PER ANSI Y14.5 DIMENSIONS ARE METRIC TOLERANCES: DECIMALS LINEAR ANGULAR .X ±0.2 ±0.5DEG .XX ±0.02 ±0.2DEG .XXX ±0.005 ±0.01DEG | | Orbex Group | |
| INTERPRET GEOMETRIC TOLERANCING PER: ANSI Y14.5 | | TITLE: Slip Ring | |
| MATERIAL SEE CHART | SIZE B | PRT. NO. 322M1-1201-HD | REV CI |
| FINISH CLEAN | DRAWN MRJ | DATE 4/1/2014 | SCALE: 1:1 |
| | | SHEET 1 OF 1 | |