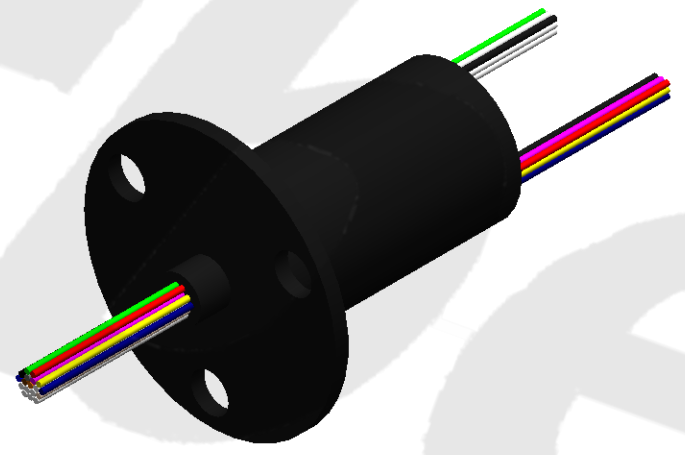
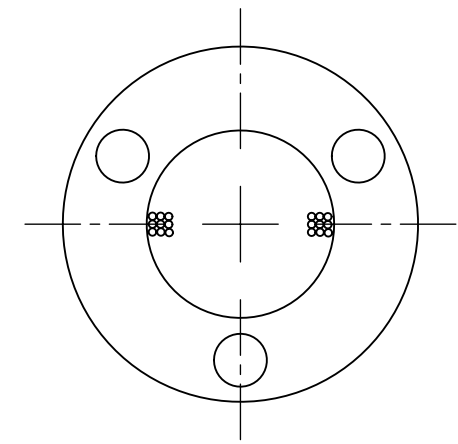
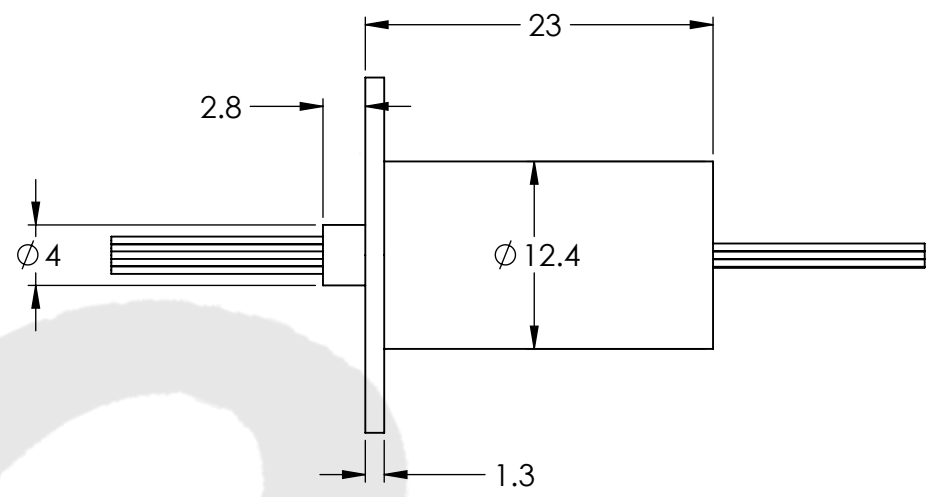
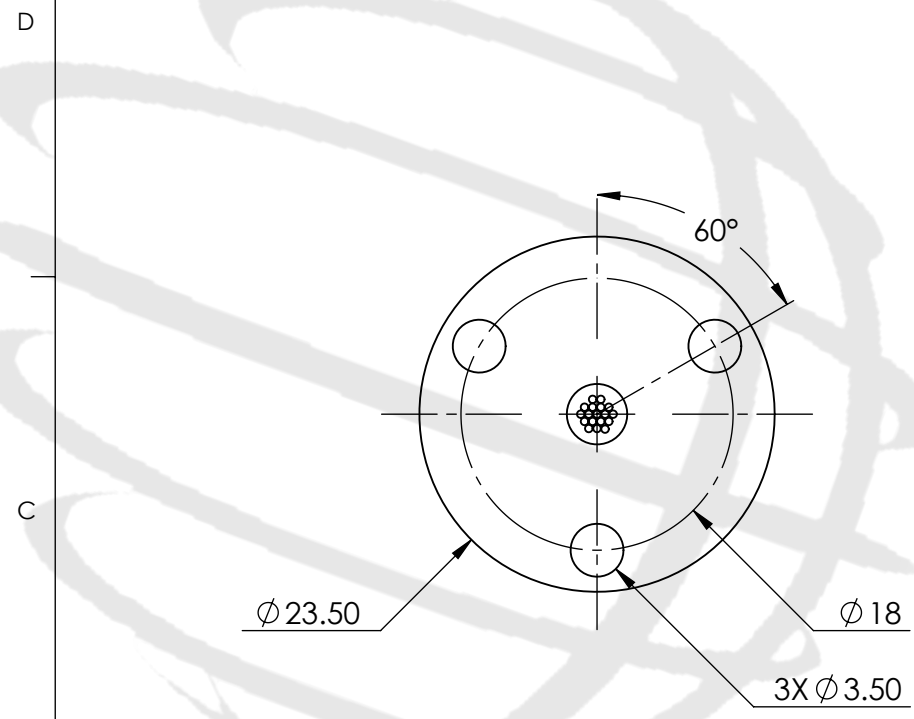


REVISIONS				
ZONE	REV.	DESCRIPTION	DATE	APPROVED
	1	Customer Information	1/1/2014	WRH



TECHNICAL DATA	
NUMBER OF CIRCUITS	18
RATED VOLTAGE	240 VDC/AC
DIELECTRIC STRENGTH	500VAC@60Hz
RATED CURRENT	2A/RING
NOMINAL SPEED	0-300 RPM
INSULATION RESISTANCE	1000 M $\Omega$ /500VDC
DYNAMIC CONTACT RESISTANCE	<10 m $\Omega$
CONTACT MATERIAL SURFACE	GOLD-GOLD
LEAD	28 AWG, COLOR CODE, SILVER PLATED, PTFE INSULATED LEAD WIRES
STANDARD LEAD LENGTH	250MM
TEMPERATURE	-20°C to + 80°C
BEARINGS	MINIATURE, PRECISION STEEL BEARINGS
HOUSING	ABS PLASTIC
PROTECTION	IP51

WIRE COLOR CODE	
1. RED	2. GREEN
3. YELLOW	4. PURPLE
5. GRAY	6. BLACK
7. BLUE	8. DARK BLUE
9. BROWN	10. ORANGE
11. WHITE	12. KHAKI
13. WHITE-RED	14. WHITE-BLACK
15. WHITE-BLUE	16. WHITE-PURPLE
17. WHITE-BROWN	18. WHITE-GREEN

THIS DRAWING CONTAINS PROPRIETARY INFORMATION OF THE ORBEX GROUP AND MAY NOT BE IN WHOLE OR IN PART DUPLICATED OR DISCLOSED OR USED FOR MANUFACTURE OF ANY PART DISCLOSED HEREIN WITHOUT WRITTEN PERMISSION OF THE ORBEX GROUP.

**CONFIDENTIAL**

UNLESS OTHERWISE SPECIFIED:		
DRAWING SYMBOLS & TOLERANCES PER ANSI Y14.5		
DIMENSIONS ARE METRIC		
TOLERANCES:		
DECIMALS	LINEAR	ANGULAR
.X	±0.2	±0.5DEG
.XX	±0.02	±0.2DEG
.XXX	±0.005	±0.01DEG
INTERPRET GEOMETRIC TOLERANCING PER: ANSI Y14.5		
MATERIAL	SEE CHART	
FINISH	CLEAN	
DRAWN	MRJ	12/17/2013

**Orbex Group**

TITLE: **SLIP RING**

SIZE	PRT. NO.	REV
<b>B</b>	<b>312M2-1800</b>	<b>1</b>

SCALE: 2:1 | SHEET 1 OF 1