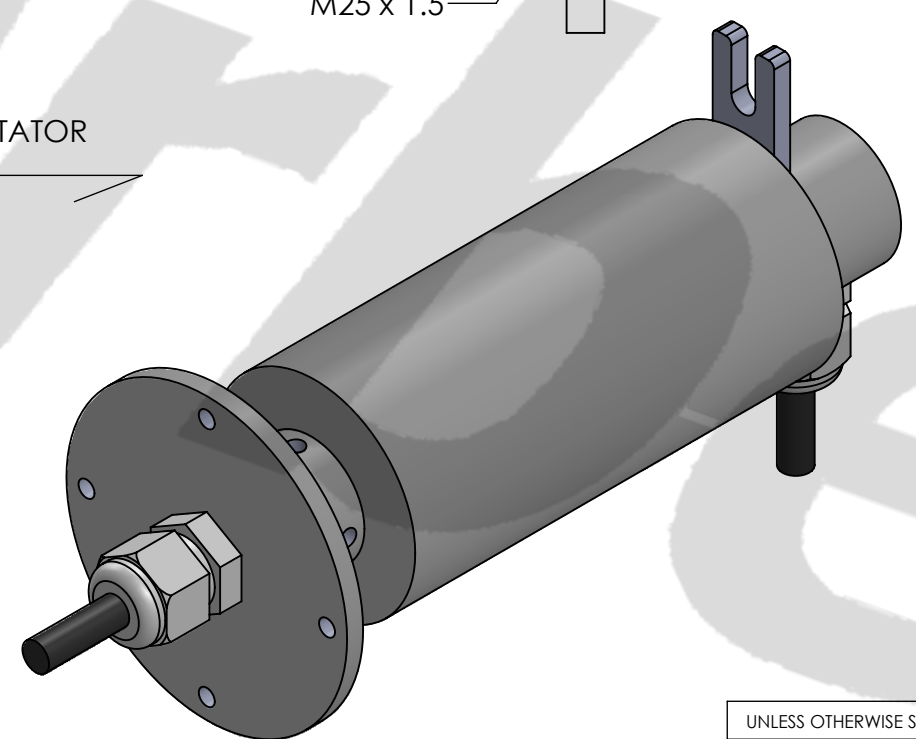
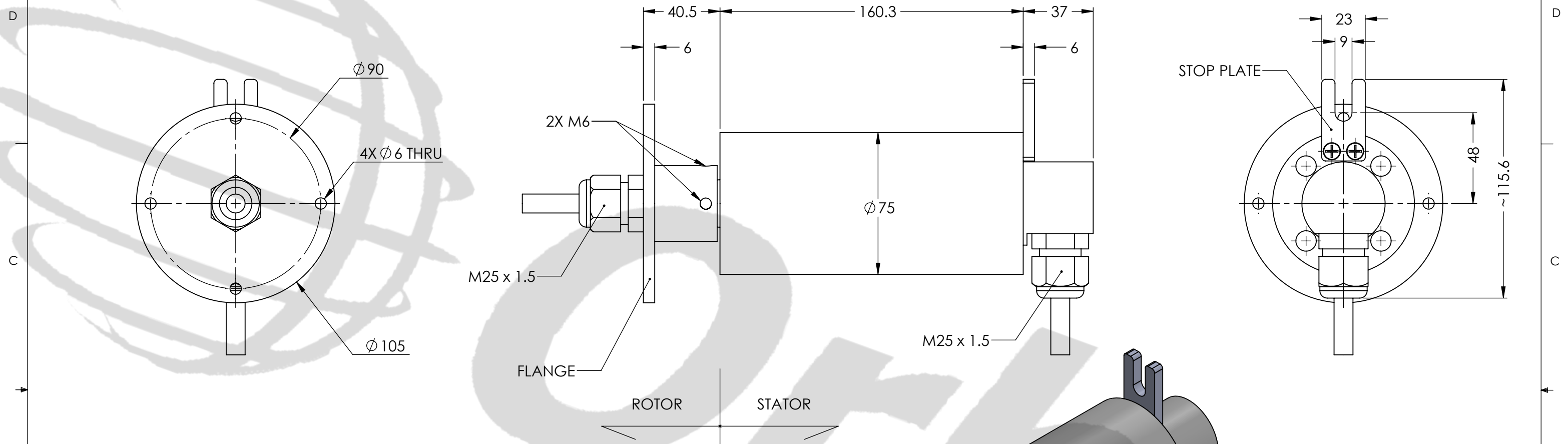


REVISIONS				
ZONE	REV.	DESCRIPTION	DATE	APPROVED
	1	Customer Information	1/1/2014	WRH



TECHNICAL DATA	
NUMBER OF CIRCUITS	48
RATED VOLTAGE	380 VAC/240 VDC
DIELECTRIC STRENGTH	500VAC@50Hz, 60s
RATED CURRENT	5A/RING
OPERATING SPEED	0-500 RPM
INSULATION RESISTANCE	$\geq 1000 \text{ M}\Omega/500\text{VDC}$
DYNAMIC CONTACT RESISTANCE	$< 10 \text{ m}\Omega$
CONTACT MATERIAL SURFACE	PRECIOUS METALS
OPERATING HUMIDITY	65%RH OR HIGHER
LEAD WIRES	AWG 22, COLOR CODED, SILVER PLATED COPPER, PTFE INSULATED WIRE
CABLE	PG GLANDS AND JACKETED CABLE
TEMPERATURE	-20°C to + 80°C
BEARINGS	MINIATURE, PRECISION STEEL BEARINGS
HOUSING	STAINLESS STEEL
PROTECTION	IP65

WIRE COLOR CODE	
1/13/25/37. RED	2/14/26/38. YELLOW
3/15/27/39. BLACK	4/16/28/40. BLUE
5/17/29/41. GREEN	6/18/30/42. WHITE
7/ 19/31/43. PURPLE	8/20/32/44. GRAY
9/21/33/45. BROWN	10/22/34/46. ORANGE
11/23/35/47. DARK BLUE/WHITE-RED	12/24/36/48. KHAKI/YELLOW-GREEN

THIS DRAWING CONTAINS PROPRIETARY INFORMATION OF THE ORBEX GROUP AND MAY NOT BE IN WHOLE OR IN PART DUPLICATED OR DISCLOSED OR USED FOR MANUFACTURE OF ANY PART DISCLOSED HEREIN WITHOUT WRITTEN PERMISSION OF THE ORBEX GROUP.

CONFIDENTIAL

UNLESS OTHERWISE SPECIFIED: DRAWING SYMBOLS & TOLERANCES PER ANSI Y14.5 DIMENSIONS ARE METRIC TOLERANCES: DECIMALS LINEAR ANGULAR .X ± 0.2 $\pm 0.5\text{DEG}$.XX ± 0.02 $\pm 0.2\text{DEG}$.XXX ± 0.005 $\pm 0.01\text{DEG}$		Orbex Group	
INTERPRET GEOMETRIC TOLERANCING PER: ANSI Y14.5		TITLE: Slip Ring	
MATERIAL SEE CHART	SIZE B	PRT. NO. 275-4800	REV 1
FINISH CLEAN	DRAWN MRJ 10/20/2014	SCALE: 1:2	SHEET 1 OF 1